

# ME-AGS | AUTOMATIC GENERATOR START MODULE

## AUTOMATICALLY START YOUR GENERATOR

### Introduction

Imagine being able to enjoy a day away all-the-while knowing your living space will stay cool and comfortable and your batteries will stay charged and ready for all of the activities that make up daily life. There's nothing better than returning to a nice, cool, comfortable home with charged batteries after a day away. The Auto Gen Start ME-AGS can make this happen.

The ME-AGS is compatible with most major generators, including Onan, Powertech, Generac, Westerbeke, Kohler, EPS, Northern Lights, and most portable generators with electric start. Please check with your Sensata Technologies dealer for specific model compatibility.



### Features

- Automatically start your generator – The AGS is designed to automatically start your generator based on low battery condition or the inside room temperature.
- Adjust the AGS to meet your needs – With the ME-AGS-N you can set multiple parameters for starting and stopping the generator. Using the ME-RC, the ME-AGS-N has basic adjustments starting on battery voltage or temperature. When using the ME-ARC, the ME-AGS-N has advanced start and stop features, including battery voltage, time of day, AC amps, exercise time, and SOC.\*\*
- Two models are available – The stand alone version of the AGS (ME-AGS-S) works well for installation and operation without an inverter. The network version of the AGS (ME-AGS-N) allows operation of the AGS via the ME-RC or ME-ARC remote panel.

### ME-AGS-N Features\*

- All settings are adjustable from the ME-RC and ME-ARC remotes.
- Auto start is locked out when utility power is present.
- View generator Start and Fault statuses.

### Options

- ME-AGS-N kit includes – AGS module (3 relay), 10' network cable, and a 60' remote temperature sensor cable.
- ME-AGS-S kit includes – AGS module (3 relay), Remote on/off/test switch, switch bezel, a 25' 6-wire cable, and has basic adjustments starting on battery voltage or temperature.

\*\* SOC feature requires the ME-BMK or ME-BMK-NS

### Model Numbers

- ME-AGS-S
- ME-AGS-N

### Works With

- ME Series Inverter/Charger
- MS Series Inverter/Charger
- MSH-M Series Inverter/Charger

The ME-AGS-S does not require an inverter/charger.

### Available Accessories

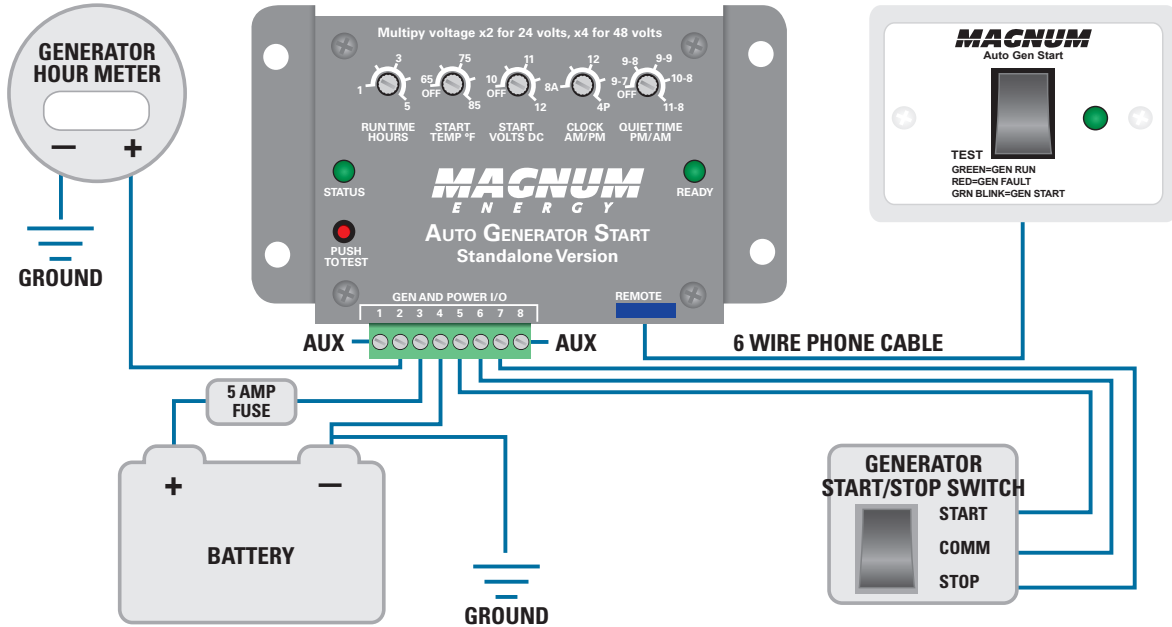
- ME-PT1
- ME-PT2

Please call and ask about our PT-1 and PT-2 pigtailed for starting on demand applications.

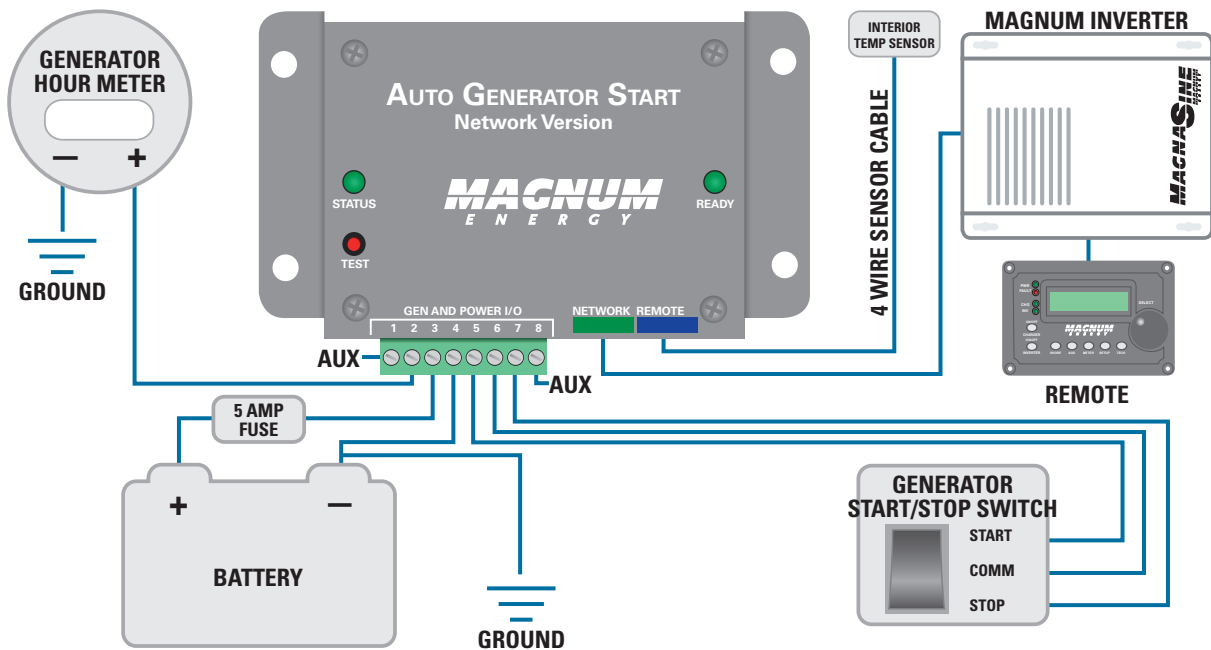


## DIAGRAMS

### AGS Wiring Diagram for Stand Alone Systems (ME-AGS-S)



### AGS Wiring Diagram for Networked Systems (ME-AGS-N)



## GENERAL NOTES

\* AGS-N features require Remote rev 1.6 and AGS rev 5.0 or higher.  
 Testing for specifications at 25° C.  
 Specifications subject to change without notice.

Sensata Technologies, Inc. ("Sensata") data sheets are solely intended to assist designers ("Buyers") who are developing systems that incorporate Sensata products (also referred to herein as "components"). Buyer understands and agrees that Buyer remains responsible for using its independent analysis, evaluation and judgment in designing Buyer's systems and products. Sensata data sheets have been created using standard laboratory conditions and engineering practices. Sensata has not conducted any testing other than that specifically described in the published documentation for a particular data sheet. Sensata may make corrections, enhancements, improvements and other changes to its data sheets or components without notice.

Buyers are authorized to use Sensata data sheets with the Sensata component(s) identified in each particular data sheet. HOWEVER, NO OTHER LICENSE, EXPRESS OR IMPLIED, BY ESTOPPEL OR OTHERWISE TO ANY OTHER SENSATA INTELLECTUAL PROPERTY RIGHT, AND NO LICENSE TO ANY THIRD PARTY TECHNOLOGY OR INTELLECTUAL PROPERTY RIGHT, IS GRANTED HEREIN. SENSATA DATA SHEETS ARE PROVIDED "AS IS". SENSATA MAKES NO WARRANTIES OR REPRESENTATIONS WITH REGARD TO THE DATA SHEETS OR USE OF THE DATA SHEETS, EXPRESS, IMPLIED OR STATUTORY, INCLUDING ACCURACY OR COMPLETENESS. SENSATA DISCLAIMS ANY WARRANTY OF TITLE AND ANY IMPLIED WARRANTIES OF MERCHANTABILITY, FITNESS FOR A PARTICULAR PURPOSE, QUIET ENJOYMENT, QUIET POSSESSION, AND NON-INFRINGEMENT OF ANY THIRD PARTY INTELLECTUAL PROPERTY RIGHTS WITH REGARD TO SENSATA DATA SHEETS OR USE THEREOF.

All products are sold subject to Sensata's terms and conditions of sale supplied at [www.sensata.com](http://www.sensata.com) SENSATA ASSUMES NO LIABILITY FOR APPLICATIONS ASSISTANCE OR THE DESIGN OF BUYERS' PRODUCTS. BUYER ACKNOWLEDGES AND AGREES THAT IT IS SOLELY RESPONSIBLE FOR COMPLIANCE WITH ALL LEGAL, REGULATORY AND SAFETY-RELATED REQUIREMENTS CONCERNING ITS PRODUCTS, AND ANY USE OF SENSATA COMPONENTS IN ITS APPLICATIONS, NOTWITHSTANDING ANY APPLICATIONS-RELATED INFORMATION OR SUPPORT THAT MAY BE PROVIDED BY SENSATA.

Mailing Address: Sensata Technologies, Inc., 529 Pleasant Street, Attleboro, MA 02703, USA.

## CONTACT US

651-653-7000  
800-553-6418  
[InverterInfo@sensata.com](mailto:InverterInfo@sensata.com)

**Power Conversion**  
[www.magnum-dimensions.com](http://www.magnum-dimensions.com)