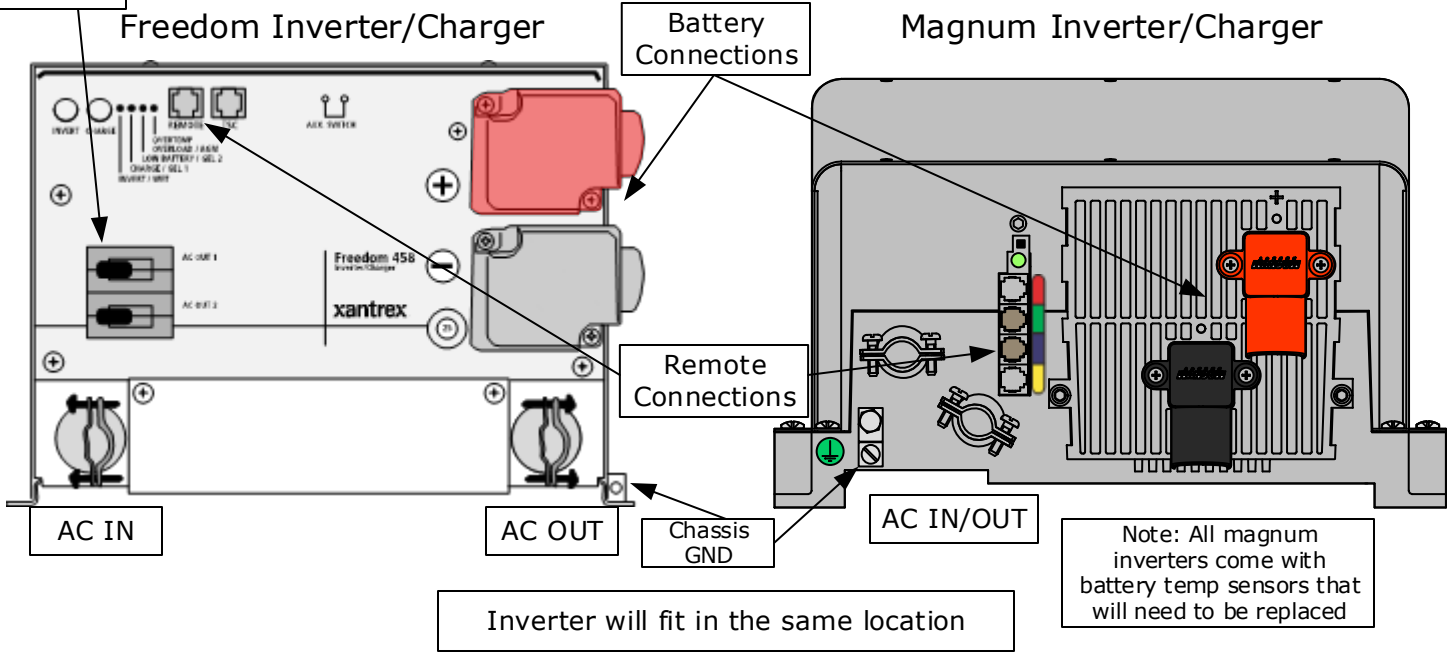


MAGNUM DIMENSIONS

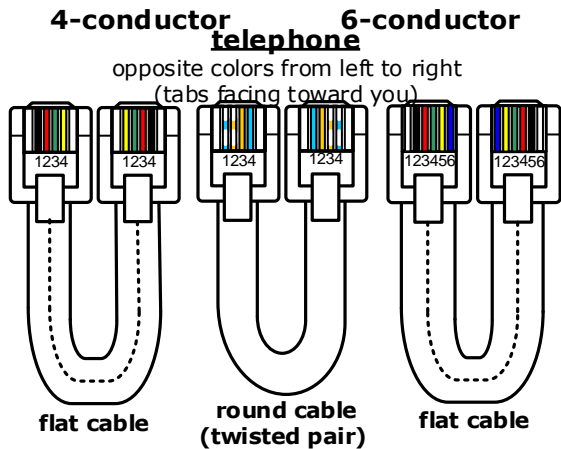
Replace your Freedom With a Magnum

| Identify your Freedom | Choose your Magnum | |
|---------------------------|---------------------------|-----------------------|
| Modified Sine Wave | Modified Sine Wave | Pure Sine Wave |
| Freedom 458 -10 | MM1212 | MMS1012 |
| Freedom 458 -15 | MM1212 or ME2012 | MS2012 |
| Freedom 458 -15D | MM1212 or ME2012-20B | MS2012-20B |
| Freedom 458 -20 | ME2012 | MS2012 |
| Freedom 458 -20D | ME2012-20B | MS2012-20B |
| Freedom 458 -25 | ME2512 | MS2812 |
| Freedom 458 -30 | ME3112 | MS2812 |

Optional Output Breakers



Use the same Telephone Cable already routed in the coach!



All units field repairable!

Up to a 3 Year Warranty

Additional product information featured in Magnum | Dimensions product manual



Remotes fit in the same cutout

