



samlexpower®

**30 Amp
Solar Charge
Controller**

EVO-30AB

**Owner's
Manual**

Read this manual
before operating
your charge
controller.

Table of Contents

SECTION 1

1. Safety Instructions.....	5
1.1 Installation and Wiring Compliance	5
1.2 Preventing Electrical Shock.....	5
1.3 Installation Environment.....	5
1.4 Preventing Fire and Explosion Hazards	5

SECTION 2

2. Solar Panel Power Theory.....	6
2.1 Solar Panel Ratings and Power Curves.....	6
2.2 Maximum Power Point.....	6
2.3 Standard Test Conditions (STC) for Specifying Solar Panels.....	7
2.4 Factors Affecting Output of Solar Cell.....	7

SECTION 3

3. Battery Theory.....	8
3.1 Battery Capacity in Ah and RC	8
3.1.1 Sizing the Battery Bank	8
3.2 Series and Parallel Connection of Batteries.....	10
3.2.1 Series Connection	10
3.2.2 Parallel Connection.....	10
3.2.3 Series - Parallel Connection.....	11
3.3 Lead Acid Batteries	12
3.3.1 Battery Types.....	12
3.3.2 Typical Battery Sizes	13
3.3.3 Reduced Capacity at Higher Discharge	13
3.3.4 Battery Efficiency	14
3.3.5 Impact of Depth of Discharge on Battery Life	14
3.3.6 Effect of Temperature on Lead Acid Batteries	14
3.4 Lithium Batteries.....	15
3.4.1 Effects of Temperature on Lithium Batteries	16
3.4.2 Lithium Batteries in Series and Parallel	16

SECTION 4

4. Features and Operation	16
4.1 Features	16
4.1.1 Standalone Charge Controller	17
4.1.2 Expanded Use with Other EVO™ Products	17
4.2 EVO-30AB Charging Operation	18
4.2.1 Pulse Width Modulation	18
4.2.2 Standard Charging Cycle.....	19
4.2.3 Lead Acid Charging	20
4.2.4 Equalization Charging Cycle.....	21
4.2.5 Temperature Compensation	24
4.3 Lithium Battery Charging	24

SECTION 5

5. Construction, Layout & Controls.....	25
5.1 General.....	25
5.2 Controls & Indications	26
5.3 EVO-RC-PLUS Remote Display Operation	27
5.3.1 Navigating the Remote.....	27
5.3.2 EVO-RC-PLUS Display Screens	28

SECTION 6

6. Installation & Setup.....	32
6.1 Wire Sizing.....	32
6.2 Selecting a Location and Mounting	33
6.3 Connections and Setup.....	34
6.3.1 DIP Switch Settings.....	35
6.4 Equalization Operation.....	36
6.4.1 Manual Equalization.....	37
6.4.2 Automatic Equalization	37
6.5 Temperature Compensation Operation.....	37
6.6 Expanded Use: Connections & Setup.....	39
6.6.1 Remote Display - EVO-RC-PLUS (Option).....	39
6.6.2 EVO-30AB with EVO™ Inverter/Charger and EVO-RC-PLUS.....	40
6.6.3 EVO-30AB with EVO™ Inverter/Charger (No EVO-RC-PLUS)	41

SECTION 7

7. Troubleshooting.....	42
7.1 Fault Indicators.....	42
7.2 Symptom 1. Battery is not Charging	43
7.3 Symptom 2. Battery Voltage is too High	43

SECTION 8

8. Specifications.....	44
------------------------	----

SECTION 9

9. Warranty	45
-------------------	----

List of Tables

Table 3.1 Battery Sizing Formulas.....	9
Table 3.2 Popular Battery Sizes.....	13
Table 3.3 Battery Capacity versus Rate of Discharge	13
Table 3.4 Typical Cycle Life Chart	14
Table 3.5 Absorption Voltage vs Temperature (example).....	14
Table 4.1 Lithium Battery Profile Settings	24
Table 5.1 LED Display for Charging Stages & Faults	26
Table 5.2 Push Button and Switch Descriptions.....	26
Table 5.3 Operational Screens	29
Table 5.4 LCD Display Parameters	30
Table 6.1 Recommended Wire Size.....	32
Table 6.2 Dip Switching Settings	35
Table 6.3 Standard Battery Charging Programs.....	36
Table 6.4 Temperature Compensation of Voltage Settings.....	38
Table 7.1 Fault Indications & Remedies	42

List of Figures

Fig 2.1 Current (I), Voltage (V) and Power (P) Curves	6
Fig 2.2 I-V Curve and Ratings of a 12V PV / Solar Panel.....	7
Fig 3.2 Series Connection	10
Fig 3.3 Parallel Connection	10
Fig 3.4 Series-Parallel Connection	11
Fig 3.5 Temperature vs State of Charge	15
Fig 4.1 Series Type PWM Control – PWM Frequency = 300 Hz.....	18
Fig 4.2A Normal Charging Algorithm	19
Fig 4.2B Equalization Algorithm.....	19
Fig 5.1 EVO-30AB Layout.....	25
Fig 5.2 EVO-RC-PLUS Layout.....	27
Fig 5.3 Startup Screen.....	28
Fig 5.4 EVO-RC-PLUS and EVO-30AB Menu Map.....	31
Fig 6.1 EVO-30AB Dimensions.....	33
Fig 6.2 EVO-30AB Wiring Diagram	34
Fig 6.3 EVO-30AB with EVO-RC-PLUS Wiring Diagram	39
Fig 6.4 EVO-30AB with EVO-RC-PLUS and EVO™ Inverter/Charger Wiring Diagram	40
Fig 6.5 EVO-30AB with EVO™ Inverter/Charger	41

Disclaimer of Liability

UNLESS SPECIFICALLY AGREED TO IN WRITING, SAMLEX AMERICA INC.:

1. MAKES NO WARRANTY AS TO THE ACCURACY, SUFFICIENCY OR SUITABILITY OF ANY TECHNICAL OR OTHER INFORMATION PROVIDED IN ITS MANUALS OR OTHER DOCUMENTATION.
2. ASSUMES NO RESPONSIBILITY OR LIABILITY FOR LOSSES, DAMAGES, COSTS OR EXPENSES, WHETHER SPECIAL, DIRECT, INDIRECT, CONSEQUENTIAL OR INCIDENTAL, WHICH MIGHT ARISE OUT OF THE USE OF SUCH INFORMATION. THE USE OF ANY SUCH INFORMATION WILL BE ENTIRELY AT THE USERS RISK.

Samlex America reserves the right to revise this document and to periodically make changes to the content hereof without obligation or organization of such revisions or changes.

Copyright Notice/Notice of Copyright

Copyright © 2022 by Samlex America Inc. All rights reserved. Permission to copy, distribute and/or modify this document is prohibited without express written permission by Samlex America Inc.

SECTION 1 | SAFETY INSTRUCTIONS

Read instructions before installing or operating the Charge Controller to prevent personal injury and avoid damage to the Charge Controller.

1.1 Installation and Wiring Compliance

- Installation and wiring must comply with the local and National Electrical Codes and must be done by a certified electrician.

1.2 Preventing Electrical Shock

- The negative system conductor should be properly grounded. Grounding should comply with local codes.
- Disassembly / repair should be carried out by qualified personnel only.
- Disconnect all input and output connections before working on any circuits associated with the Charge Controller.

1.3 Installation Environment

- The Charge Controller should be installed in a well ventilated, cool, dry environment.
- Do not expose to moisture, rain, snow or liquids of any type.

1.4 Preventing Fire and Explosion Hazards

- Working with the Charge Controller may produce arcs or sparks. Thus, the Charge Controller should not be used in areas where there are flammable materials or gases requiring ignition protected equipment. These areas may include spaces containing gasoline powered machinery, fuel tanks, battery compartments.

SECTION 2 | SOLAR PANEL POWER THEORY

2.1 Solar Panel Ratings and Power Curves

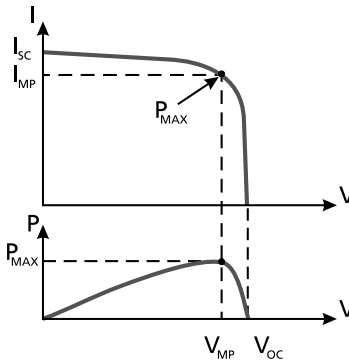


Fig. 2.1. Current (I), Voltage (V) and Power (P) Curves

A Current (I) versus Voltage (V) Curve of a Solar Panel (“I-V” Curve) shows the possible combinations of its current and Voltage outputs. A typical I-V curve for a 12V Panel is shown in Fig. 2.1.

The power in a DC electrical circuit is the product of the Voltage and the current. Mathematically,

- Power (P) in Watts (W) = The Current (I) in Amperes (A) X the Voltage (V) in Volts (V) i.e. $W = V \times A$

A Solar Panel produces its maximum current when there is a short circuit between its Positive and Negative terminals. This maximum current is known as the Short Circuit Current and is abbreviated as I_{sc} . When the Panel is shorted, the Voltage in the circuit is zero.

Conversely, the maximum Voltage occurs when there is a break in the circuit. This is called the Open Circuit Voltage (V_{oc}). **Typical value of the Open Circuit Voltage (V_{oc}) of panels with crystalline cells will be as follows:**

- 12V panel: 36 cells x (0.5 to 0.6V per cell) = 18V to 21.6V
- 24V panel: 72 cells x (0.5 to 0.6V per cell) = 36V to 43.2V

The power available from a photovoltaic device at any point along the curve is just the product of Current (I) in Amps (A) and voltages (V) at that point and is expressed in Watts. At the short circuit current point, the power output is zero, since the voltage is zero. At the open Circuit Voltage point, the power output is also zero, but this time it is because the current is zero.

2.2 Maximum Power Point

There is a point on the knee of the I-V Curve where the maximum power output is located and this point is called the Maximum Power Point (MPP). The voltage and current at this Maximum Power Point are designated as V_{mp} and I_{mp} .

SECTION 2 | SOLAR PANEL POWER THEORY

The rated power of the Solar Panel in Watts (Pmax) is derived from voltage at V_{mp} multiplied by current at I_{mp} to get the Maximum Power Point (MPP):

- Rated power in Watts, $P_{max} = V_{mp} \times I_{mp}$

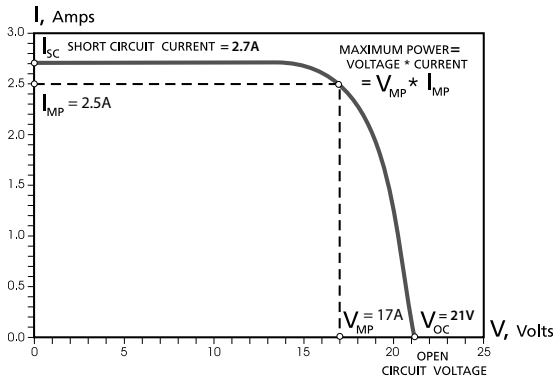


Fig. 2.2. I-V Curve and Ratings of a 12V PV / Solar Panel

I-V Curve for a typical 12V Solar Panel is shown in Fig. 2.2. The Open Circuit Voltage V_{oc} is 21V and the Short Circuit Current $I_{sc} = 2.7V$.

Maximum Power Point in the example curve given above is where V_{mp} is 17V, and the current I_{mp} is 2.5A. Therefore, the rated or the maximum power P_{max} in watts is 17V times 2.5A, or 42.5 Watts.

2.3 Standard Test Conditions (STC) for Specifying Solar Panels

The industry uses three standard conditions to generate the I-V curve and other specifications for the solar panel. These STC are made up from three conditions:

- **Temperature** – the temperature of the cell and not the surrounding air or metal of the panel. $STC=25^{\circ}C$.
- **Solar-Irradiance** – The amount of light energy falling on the panel. $STC=1000W/m^2$
- **Mass of air** – The number is related to the angle of light and amount of atmosphere $STC=1.5$.

When the panels are rated based on these industry standards, designers are able to compare products.

2.4 Factors Affecting Output of Solar Cells

The amount of electric current generated by photon excitation in a Solar Cell at a given temperature is affected by light in two ways:

- By the intensity of the incident light.
- By the wavelength of the incident rays.

SECTION 2 | SOLAR PANEL POWER THEORY

The output current of the Solar Panel can increase due to what is known as the “**Edge of the Cloud Effect**”. As the sun moves into a hole between the clouds, your solar panels will see full direct sunlight combined with reflected light from the clouds! They will absorb more energy than they could on a cloudless day! **Thus, a factor of 1.25 times the Short Circuit Current I_{sc} is recommended when sizing the current capacity of the Charge Controller.**

The output current of the Solar Cell has a Positive Temperature Coefficient – the output current increases with the rise of temperature. However, it is negligible – less than 0.1 % / °C of the Short Circuit Current I_{sc} .

The output Voltage of the Solar Cell has a Negative Temperature Coefficient – The output Voltage increases with decrease in temperature. For example, a Silicon Cell has a Temperature Coefficient of – 2.3 mV / °C / Cell. Hence, during cold winter days, the voltage will rise. **As a Rule of Thumb, the voltage rating of the Charge Controller should be sized as 1.25 times the Open Circuit Voltage rating (V_{oc}) of the Solar Panel to ensure that the Charge Controller is not damaged due to over voltage.**

SECTION 3 | BATTERY THEORY

3.1 Battery Capacity in Ah and RC

Battery capacity is the measure of electrical energy the battery can store and deliver to a load. It is determined by the amount of current any given battery can deliver over a stipulated period of time. The energy rating is often expressed in Ampere Hours (Ah) or in Reserve Capacity (RC).

Ampere Hours is the rating of a battery calculated by the Amps x Hours.

Amps is the current being drawn from the battery and hours is the time to discharge the battery. This information is found in the tables on the battery manufacturer sheet. It is specified on spec sheets as 100Ah: @20hr rate to 1.75 VPC.

In this case the 100Ah capacity is rated at 20 Hour discharge rate until the voltage drops to 175V per cell (or 10.5V on a 12V battery).

Battery capacity is also expressed as Reserve Capacity (RC) in minutes on some lead acid batteries. Reserve Capacity is the time in minutes for which the battery can deliver 25 Amperes at 80°F (26.7°C).

3.1.1 Sizing The Battery Bank

The necessary capacity of the battery bank in Ampere Hours (Ah) is determined based on the amps required to be provided for operating the desired DC and AC loads for a desired period of time in hours.

SECTION 3 | BATTERY THEORY

For example, backup energy may be required at 10 amps (from the battery at the battery voltage) for 4 hours. This would be 40 AH required from the battery.

Determining the size of the battery starts with calculating your requirements in Ah, then adding in factors for efficiency and battery life expectancy. Finally, use battery specification sheets to select your battery. The following formulae applies to calculating your requirements in Ah.

FORMULA 1	DC Power in Watts (W)	DC Volts (V) x DC Current (A)	
FORMULA 2	AC Power in watts (W)	AC Volts (V) x AC current (A) x Power Factor (0.8 Typical)	
FORMULA 3	DC Power drawn from the Battery by DC load fed directly from the battery	Power of DC load in Watts (W)	
FORMULA 4	DC power drawn from the battery by AC load fed from DC-AC inverter	1.2 x Power of AC load in Watts (W) (Assuming average efficiency of inverter = 84%)	
FORMULA 5	Energy consumption from the battery in Watt Hour (Wh)	Power in Watts (W) x time in Hours (h)	
FORMULA 6	Energy consumption from the battery in Ampere Hour (Ah)	12v Battery	Energy consumption in Watt-Hour (Wh) ÷ 12
		24v Battery	Energy consumption in Watt-Hour (Wh) ÷ 24

Table 3.1. Battery Sizing Formulas

Determining Total Battery Energy Consumption – First step is to determine the total battery energy consumption in Ampere Hours for running the desired AC and DC loads during the desired span of backup time:

- a) Find out the power rating of each AC and DC device in Watts (W). If Watt rating is not available, calculate the Watt rating using Formulae 1 or 2.
- b) Determine / calculate the power drawn from the battery in Watts (W) by each of the AC and DC devices. For DC devices, this will be the same as its DC Power rating (Formula 3). For AC devices powered from DC to AC inverter, use Formula 4 to calculate the power drawn in Watts (W) from the battery.
- c) Calculate the energy consumption in Watt-Hours (Wh) for each load using Formula 5 based on the number of hours each load is expected to run during the desired span of backup time. Add all to get the total energy in Watt Hours (Wh).
- d) Calculate the total battery energy consumption in Ampere Hours (Ah) for the combined DC and AC loads using Formula 6.

SECTION 3 | BATTERY THEORY

Determining Actual Ah Capacity of Battery Bank

- a) **Lead Acid batteries:** In applications where your batteries will be discharged and recharged constantly (cycling), the battery life expectancy will depend on the depth of discharge on the battery. Deep discharges of the battery will significantly reduce the life expectancy. Therefore we recommend no more than 50% discharge of the battery in cycling applications. To achieve this, the calculated Ah Capacity should be doubled when selecting a battery.
- b) **Lithium batteries:** Lithium batteries do not receive a significant impact to their life when discharged to 80% and have a high cycle count compared to Lead Acid. Their capacity is also constant across the discharge rate of the battery. This means you are able to size the battery at only 1.25x the calculated Ah requirements of your system when selecting your Lithium battery product.

3.2 Series and Parallel Connection of Batteries

3.2.1 Series Connection

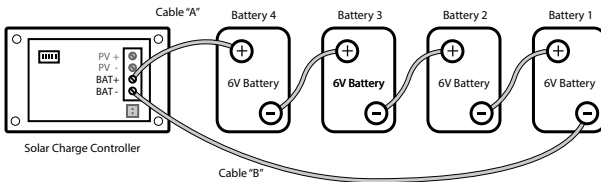


Fig. 3.2. Series Connection

When two or more batteries are connected in series, their voltages add up, but their Ah capacity remains the same. Fig. 3.2 above shows 4 pieces of 6V, 200 Ah batteries connected in series to form a battery bank of 24V with a capacity of 200 Ah.

3.2.2 Parallel Connection

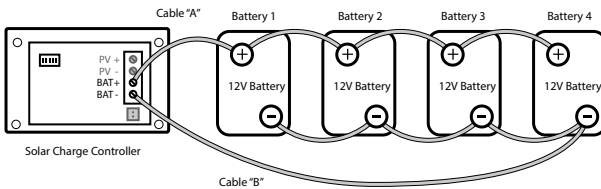


Fig. 3.3. Parallel Connection

When two or more batteries are connected in parallel, their voltage remains the same but their Ah capacities add up. Fig. 3.3 above shows 4 pieces of 12V, 100 Ah batteries connected in parallel to form a battery bank of 12V with a capacity of 400 Ah. The four Positive terminals of Batteries 1 to 4 are paralleled (connected together) and this

SECTION 3 | BATTERY THEORY

common Positive connection becomes the Positive terminal of the 12V bank. Similarly, the four Negative terminals of Batteries 1 to 4 are paralleled (connected together) and this common Negative connection becomes the Negative terminal of the 12V battery bank.

3.2.3 Series – Parallel Connection

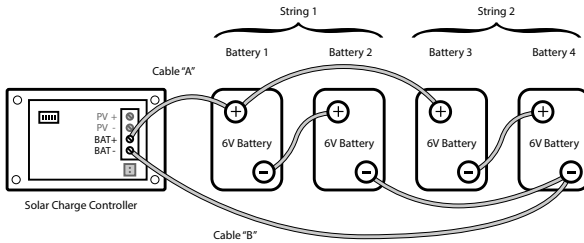


Fig. 3.4. Series-Parallel Connection

Figure 3.4 above shows a series – parallel connection consisting of four 6V, 200 Ah batteries to form a 12V, 400 Ah battery bank. Two 6V, 200 Ah batteries, Batteries 1 and 2 are connected in series to form a 12V, 200 Ah battery (String 1). Similarly, two 6V, 200 Ah batteries, Batteries 3 and 4 are connected in series to form a 12V, 200 Ah battery (String 2). These two 12V, 200 Ah Strings 1 and 2 are connected in parallel to form a 12V, 400 Ah bank.



CAUTION!

Attention should be paid to the manner in which the charger is connected to the battery bank. Ensure that if the Positive output cable of the battery charger (Cable "A") is connected to the Positive battery post of the first battery (Battery 1 in Fig. 3.3) or to the Positive battery post of the first battery string (Battery 1 of String 1 in Fig. 3.4), then the Negative output cable of the battery charger (Cable "B") should be connected to the Negative battery post of the last battery (Battery 4 as in Fig. 3.3) or to the Negative Post of the last battery string (Battery 4 of Battery String 2 as in Fig. 3.4). This connection ensures the following:

- The resistances of the interconnecting cables will be balanced.
- All the individual batteries / battery strings will see the same series resistance.
- All the individual batteries will charge at the same charging current and thus, will be charged to the same state at the same time.
- None of the batteries will see an overcharge condition.

If this is not followed, the following may occur in your system:

- All the individual batteries will be charged at different charging current and thus, will reach fully charged state at different times.

SECTION 3 | BATTERY THEORY

- The battery with lower series resistance will take shorter time to charge as compared to the battery which sees higher series resistance and hence, will experience over charging and its life will be reduced.
- Life and capacity of the battery will be reduced.

3.3 Lead Acid Batteries

3.3.1 Battery Types

Sealed Lead Acid (SLA) or Valve regulated Lead Acid (VRLA) Batteries

Sealed Lead Acid (SLA) batteries or Valve Regulated Lead Acid (VRLA) batteries can either be Gel Cell or AGM (Absorbed Glass Mat). In a Gel Cell battery, the electrolyte is in the form of a gel. In AGM (Absorbed Glass Mat) battery, the electrolyte is soaked in Glass Mat. In both these types, the electrolyte is immobile. There are no refill caps and the battery is totally sealed. Hydrogen and Oxygen released during the charging process are not allowed to escape and are recombined inside the battery. Hence, there is no water loss and the batteries are maintenance free. These batteries have safety valves on each cell to release excessive pressure that may be built up inside the cell. The Gel Cell is the least affected by temperature extremes, storage at low state of charge and has a low rate of self discharge. An AGM battery will handle overcharging slightly better than the Gel Cell.

Non Sealed (Vented / Flooded / Wet Cell) Lead Acid Batteries

In a non-sealed / vented / flooded / wet cell battery, each individual cell compartment has a refill cap that is used to top up the cell with distilled water and to measure the specific gravity of the electrolyte using a hydrometer. When fully charged, each individual cell has a voltage of approximately 2.105V and electrolyte specific gravity of 1.265. As the cell discharges, its voltage and specific gravity drop. Thus, a healthy, fully charged, 12V nominal battery with each of the 6 cells fully charged to 2.105V will measure a Standing Voltage of 12.63V at 25°C / 77°F. Also, in a healthy battery, all the individual cells will have the same voltage and same specific gravity. ***If there is a substantial difference in the voltages (0.2V or higher) and specific gravities of the individual cells, the cells will require equalization.***

SLI (Starting, Lighting, Ignition) Batteries

SLI batteries that are used for automotive starting, lighting, ignition and powering vehicular accessories. SLI batteries are designed to produce high power in short bursts for cranking. SLI batteries use lots of thin plates to maximize the surface area of the battery for providing very large bursts of current (also specified as Cranking Amps). This allows very high starting current but causes the plates to warp when the battery is cycled. Vehicle starting typically discharges 1%-3% of a healthy SLI battery's capacity. The automotive SLI battery is not designed for repeated deep discharge where up to 80% of the battery capacity is discharged and then recharged. ***If an SLI battery is used for this type of deep discharge application, its useful service life will be drastically reduced.***

This type of battery is not recommended for the storage of energy for DC powered devices like lighting, radios, inverters, etc. However, they are recommended as starting battery for the back-up generator.

SECTION 3 | BATTERY THEORY

Deep Cycle Lead Acid Batteries

Deep cycle batteries are designed with thick-plate electrodes to serve as primary power sources, to have a constant discharge rate, to have the capability to be deeply discharged up to 80% capacity and to repeatedly accept recharging. They are marketed for use in recreation vehicles (RV), boats and electric golf carts – so they may be referred to as RV batteries, marine batteries or golf cart batteries.

Lithium Battery (LiFePO4)

Lithium batteries designed for lead acid drop-in replacement are supported by this charge controller in a 12V nominal or 24V nominal configuration. Ensure that the manufacturers recommended charge voltages are configured accordingly on the Charge Controller Dip Switch. Temperature compensation and Equalization should not be used with Lithium batteries.

Lithium batteries should not be charged below 0°C unless specified by the manufacturer. In some circumstances, the manufacturer will have a BMS and internal heater that warms the battery to allow charging at temperatures below freezing. Check with the battery manufacturer if you expect your batteries to drop below freezing temperatures.

3.3.2 Typical Battery Sizes

The Table below shows details of some popular battery sizes:

BCI* GROUP	BATTERY VOLTAGE, V	TYPICAL CAPACITY, AH
27 / 31	12	105
4 D	12	160
8D	12	225
GC2**	6	220

* Battery Council International ** Golf Cart

Table 3.2. Popular Battery Sizes

3.3.3 Reduced Capacity at Higher Discharge

The rated capacity of the lead acid battery in Ah is normally applicable at a discharge rate of 20 Hours. This relationship is not linear, as the discharge rate is increased, the usable capacity reduces, but is more or less according to the Table below:

HOURS OF DISCHARGE	DISCHARGE RATE	DISCHARGE RATE FOR 100Ah BATTERY	USABLE CAPACITY
20 HRS.	C/20 A	5A	100 %
10 HRS.	C/10 A	10A	87 %
8 HRS.	C/8 A	12.5A	83 %
6 HRS.	C/6 A	16.7A	75 %
5 HRS.	C/5 A	20A	70 %
3 HRS.	C/3 A	33.3A	60 %
2 HRS.	C/2 A	50A	50 %
1 HRS.	C A	100A	40 %

Table 3.3. Battery Capacity versus Rate of Discharge

SECTION 3 | BATTERY THEORY

100 Ah capacity battery will deliver 100% (i.e. full 100 Ah) capacity if it is slowly discharged over 20 hours at the rate of C/20 A or 5A. However, if it is discharged at a rate of 2 Hrs. (C/2A or 50A) then the Table above shows that for 2 Hours discharge rate (C/2A or 50A), the capacity is reduced to 50% (i.e. 50 Ah). Therefore, at 50 Ampere discharge rate the battery will actually last for $50 \text{ Ah} \div 50\text{A} = 1 \text{ Hour}$.

3.3.4 Battery Efficiency

A lead-acid battery has an efficiency of only 75% - 85%. The energy lost appears as heat and warms the battery. This means that the Ampere Hour (Ah) energy required to charge a battery to its full rated capacity will be approximately 120% to 130% higher than the Ah capacity rating of the battery.

3.3.5 Impact of Depth of Discharge on Battery Life

The deeper a battery is discharged on each cycle, the shorter the battery life. Using more batteries than the minimum required will result in longer life for the battery bank. A typical life cycle chart is given in the Table 3.4 below:

DEPTH OF DISCHARGE % OF Ah CAPACITY	CYCLE LIFE OF GROUP 27 / 31	CYCLE LIFE OF GROUP 8D	CYCLE LIFE OF GROUP GC2	LiFePO4 (100AH)
10	1000	1500	3800	9000
50	320	480	1100	6000
80	200	300	675	4000
100	150	225	550	2000

Table 3.4. Typical Cycle Life Chart

3.3.6 Effect of Temperature on Lead Acid Batteries

The charging characteristics of the battery will vary with temperature. This is nearly linear and the Voltage Coefficient of Temperature Change is normally taken as -3 mV to -5 mV / °C / Cell. As the temperature rises, the charging voltage is reduced and as the temperature is decreased, the charging voltage is increased.

All charging voltage set points are normally specified at 25°C / 77°F. In solar systems, battery temperatures often vary up to 15°C from the 25°C reference. The Absorption, Float and Equalization Voltages must then be adjusted or a controller with Temperature Sensor should be used. Table below shows example of adjustments for Absorption Voltage of say 14.4V for 12V battery, (based on Voltage Coefficient of Temperature Change as -5 mV / °C / Cell or -30mV (.03V) for a 6 cell, 12V battery).

BATTERY TEMPERATURE	ABSORPTION VOLTAGE (12V BATTERY)
40°C	13.95V
25°C (Reference)	14.4V (Reference)
10°C	14.85V

Table 3.5. Absorption Voltage vs Temperature (example)

SECTION 3 | BATTERY THEORY

In case temperature compensation is not provided, the warmer battery at 40°C will begin to heat and outgas at 13.95V and will continue to overcharge until the non-compensated Absorption Voltage set point is reached (14.4V). In cooler temperatures, the 10°C battery will experience severe undercharging, resulting in sulfation.

It is recommended that a battery charger / charge controller with a provision for temperature sensing and compensation should be used if the battery electrolyte temperature varies more than 5°C to 10°C (9°F to 18°F).

Loss of Battery Capacity at Low Temperatures

Batteries lose capacity in low temperatures. At 32°F (0°C), a battery will deliver about 70 to 80% of its rated capacity at 80°F (26.7°C). If the electrolyte temperature of the battery bank is lower than 80°F (26.7°C), additional batteries will be needed to provide the same usable capacity. For very cold climates, an insulated / heated battery compartment is recommended.

Freezing of Electrolyte

For applications with low ambient temperature, the lead-acid battery must also be protected against freezing of the electrolyte. The risk of freezing depends on the state of charge. The chart given below illustrates the freezing limit as a function of the state of charge.

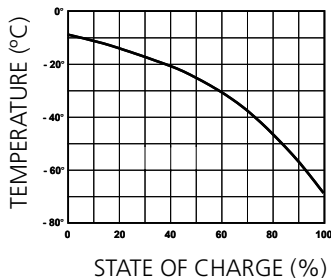


Fig 3.5. Temperature vs State of Charge

3.4 Lithium Batteries

Lead Acid Drop In replacements:

There are a number of different chemistries for Lithium Batteries. The most commonly used as a Lead Acid battery Drop In Replacement is the LiFePO₄ battery chemistry. These batteries must come with a built in Battery Management System (BMS). This will employ safe guards on the battery for safety and operation.

Other Lithium Chemistries:

As Lithium evolves into a battery source, there may be other chemistries that come to market. Review the battery manual and charging specifications. Then compare with the operation of the charge controller. It may be possible for the charger to be setup for the battery of your selection. The battery must still include a BMS that protects the battery and for safety as the charge controller will only supply power.

SECTION 3 | BATTERY THEORY

3.4.1 Effects of Temperature on Lithium Batteries

Lithium batteries are not affected by temperature the same way lead acid batteries are, but the temperature does need to be considered if it drops below freezing. Lithium batteries should not be charged when the battery temperature drops below freezing. Most batteries will either cut off or employ an internal heating device to protect the battery. These are safety devices as charging lithium batteries when the cells are below freezing may result in fire and catastrophic failure of the battery. Check with your battery manufacturer to see what protections are on your battery for these conditions.

In general, keep your lithium batteries in a location that keeps them above 0°C or in accordance with the manufacturers specifications.

Temperature Compensation: Do not enable temperature compensation on Lithium Batteries. It may damage the battery and has a potential for being hazardous.

3.4.2 Lithium Batteries in Series and Parallel

Be sure to check with the manufacturer on whether the battery can be placed in series or parallel. Some lithium battery products do not support series configurations.

The EVO-30AB is a PWM (Pulse Width Modulation) Solar Charge Controller. It can be used for 12V or 24V battery systems.

SECTION 4 | FEATURES & OPERATION

4.1 Features

- Functionality expands when connected with an EVO™ Remote Display or EVO™ inverter/ charger
- Dual Voltage capability – can be used with 12V or 24V Systems
- 30A charging capacity
- Pulse Width Modulation charging is provided at a PWM frequency of 300 Hz for low loss, higher efficiency charging.
- 4 Stages of charging for 100% return of capacity and long battery life – Bulk, Absorption, Float and Equalization Stages
- Choice of 8 sets of Absorption / Float / Equalization Voltage settings to enable complete charging of a wide range of Lead Acid and Lithium Batteries
- Remote Battery Temperature Sensor (BTS) Model 30AB-TS (optional) for temperature compensation ensures proper charging of batteries that are exposed to wide temperature variations during the year.

SECTION 4 | FEATURES & OPERATION

4.1.1 Standalone Charge Controller

The EVO-30AB can be installed as a standalone charge controller or it can be added to other EVO™ products and connected using the communications cable to allow your EVO™ products to communicate and be monitored from the same remote.

4.1.2 Expanded Use with Other EVO™ Products

The EVO-30AB's communications port expands its abilities when connected with other EVO™ products. This allows a few different ways for implementation. There are three ways the product can be used:

- With EVO-RC-PLUS Remote Display
 - With an EVO™ Inverter/Charger and a Remote Display
 - With an EVO™ Inverter/Charger and no Remote Display
- **Remote Display – EVO-RC-PLUS**
The EVO-RC-PLUS is a remote display used to monitor the operation of EVO™ products. The EVO-30AB is part of this family and can be monitored by the remote display. Having the remote as a separate unit allows the EVO-30AB charge controller to be placed in close proximity to the batteries and have the EVO-RC-PLUS Remote Display placed in a separate location convenient for monitoring.
 - **EVO-30AB with EVO™ Inverter/Charger and EVO-RC-PLUS**
Installing the EVO-30AB Charge Controller, an EVO-RC-PLUS, and an EVO™ Inverter/Charger makes your complete power system manageable from one monitoring device. The EVO-RC-PLUS will display alarms and status for both the EVO-30AB and the EVO™ Inverter/Charger.

When connected together, the EVO-30AB will follow the programmed settings in the EVO™ Inverter/Charger unit. This will synchronize both units to operate at the same bulk, absorption, float, and equalize settings as well as change modes at the same time.

- **EVO-30AB with EVO™ Inverter/Charger (no EVO-RC-PLUS)**
When the EVO-30AB is installed with an EVO™ Inverter/Charger without the EVO-RC-PLUS, the EVO-30AB will operate based on the DIP switch settings only. The inverter/charger will manage its charge current based on the output current of the EVO-30AB, as described in the EVO™ manual (Section 5.4).



WARNING!

DIP Switch Settings when Communications are disconnected
In all configurations, if the communications cable is disconnected during operation, the EVO-30AB will act as a standalone charger, using the EVO™ Inverter/Charger settings until the EVO-30AB is power cycled. After which, it will use the DIP Switch settings.

SECTION 4 | FEATURES & OPERATION

4.2 EVO-30AB Charging Operation

4.2.1 Pulse Width Modulation

In order to understand the working of the controller, it is important to understand the concept of PWM and Duty Cycle, which are explained with the help of Fig. 4.1.

If you consider that the output of the solar panel is connected to the battery in series with a switch. Controlled ON / OFF operation of the Switch is used to control the current and the voltage to charge the battery.

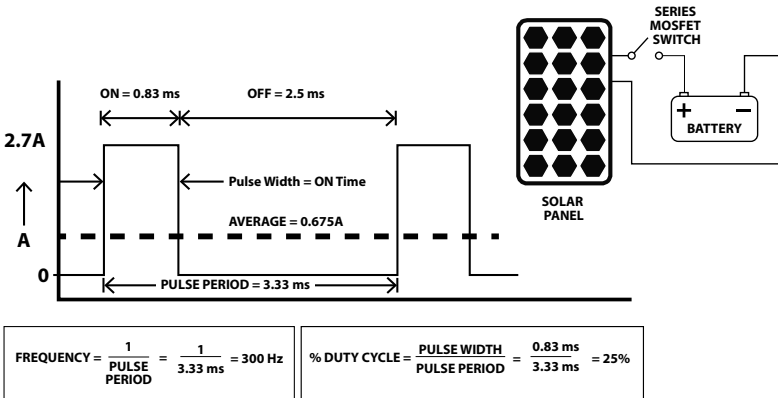


Fig. 4.1. Series Type PWM Control - PWM Frequency = 300 Hz

A solar panel is a current source that outputs almost constant current equal to its Short Circuit Current (I_{sc}) over a wide voltage range. Through PWM control, the Switch converts constant Short Circuit Current (I_{sc}) at its input to controlled average current at its output by varying the Duty Cycle. The average value of output current of the Switch is equal to the constant input value of Short Circuit Current (I_{sc}) multiplied by the Duty Cycle. The Duty Cycle is the % of time the switch is ON compared to the switch being ON 100% of the time. A Duty Cycle of 25%, would mean that out of every second, the switch will be on 0.25 seconds allowing the current to flow for just that portion of time. This changes the average amount of current getting to the battery.

Fig 4.1 shows an example where 2.7A constant input Short Circuit Current (I_{sc}) is reduced to average of 25% or to 0.675A by switching the 2.7A constant Short Circuit Current (I_{sc}) ON and OFF at 25% Duty Cycle.

PWM consists of repetitive cycles of controlled duration of ON and OFF states of the Switch. The Pulse Period of one cycle of 300 Hz PWM is the total combined duration of ON and OFF states of the Switch which is 3.33 ms. Number of cycles of switching per second is called the PWM Frequency. Mathematically, Frequency = $(1 \div \text{Pulse Period "T"})$ and is 300 Hz in this case ($1 \div 3.33 \text{ ms} = 300 \text{ Hz}$). The duration of ON state is also called the "Pulse Width". In PWM control, the duration of the Pulse Width is varied

SECTION 4 | FEATURES & OPERATION

(modulated) and is defined by "Duty Cycle" which is the ratio of the "ON Time" to the "Pulse Period". Duty Cycle is normally specified in %. Thus, 0% Duty Cycle will mean that the switch is constantly OFF (will output 0A) and 100% Duty Cycle will mean that the switch is constantly ON (will output the full Short Circuit Current (I_{sc})).

4.2.2 Standard Charging Cycle

Notes:

- For proper understanding of the charging algorithm, please read Section 3 – General Information: Batteries.
- For purposes of explanation given in Fig. 4.2A / 4.2B, it is assumed that there is no load on the battery during the day when charging is taking place. There is small lighting load at night, which is switched OFF during the day.

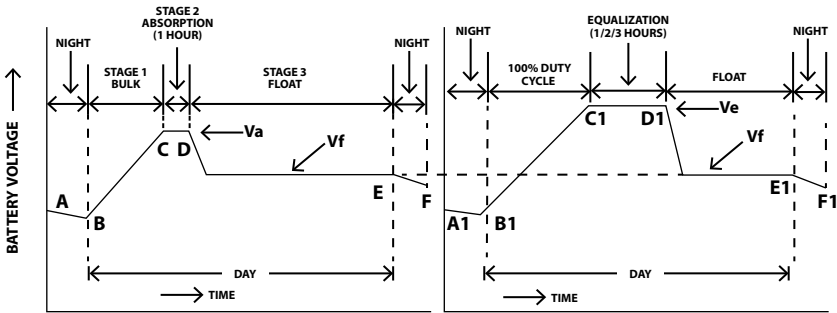


Fig. 4.2A. Normal Charging Algorithm

Fig 4.2B. Equalization Algorithm

Following three types charging algorithms are used to return 100% capacity and prevent excessive gassing:

- Lead Acid - Normal Charging (Fig 4.2A):** This algorithm is used for normal day-to-day charging. Charging is sequential: Stage 1: Bulk Stage (100% Duty Cycle which is equivalent to Constant Current) → Stage 2: Absorption Stage - constant voltage charging for 1 hour → Stage 3: Float Stage (Very low Duty Cycle of 0% to < 10% which is equivalent to Constant Voltage).
- Lead Acid - Equalization Charging (Fig 4.2B):** This is carried out automatically after every 28 days or manually. Stage 1: Bulk Stage (100% Duty Cycle which is equivalent to Constant Current) → Stage 2: Equalization Stage - constant voltage charging at the equalization voltage → Stage 3: Float Stage (Very low Duty Cycle of 0% to < 10% which is equivalent to Constant Voltage).
- Lithium Battery Charging (Fig 4.2A):** This algorithm follows the same stages as lead acid and used for normal day-to-day charging of Lithium LiFePO4 batteries designed for lead acid drop in replacements. Charging is sequential: Stage 1: Bulk Stage - Constant Current output until voltage reaches Absorption voltage set point. Stage 2: Absorption Stage - Constant voltage charging for 30 minutes. Stage 3: Float Stage - Constant voltage charging.

SECTION 4 | FEATURES & OPERATION

Transition from one stage to the other will be controlled by the selected Voltage Regulation Set Points programmed on the EVO-30AB via the DIP switches or from an EVO™ Inverter/Charger as follows:

- Absorption Voltage Regulation Set Point “Va”
- Equalization Voltage Regulation Set Point “Ve”
- Float Regulation Voltage Set Point “Vf”

4.2.3 Lead Acid Charging

Stage - 1: Bulk Stage. Refer to Fig 4.2A. During night, the battery voltage will drop below the Float Transition Voltage Set Point “Vf” (Curve portion A to B), as there is no sun and discharging due to equipment (loads) that are powered during the night.

When the sun is available in the morning, charging commences in Bulk Stage. During this stage (Curve portion B to C), the Switch is kept at 100% Duty Cycle (ON continuously) and hence, maximum current equal to the available Short Circuit Current “ I_{sc} ” of the panel is fed to the battery and the battery voltage starts rising. This is equivalent to Constant Current Charging.

When the voltage reaches the Absorption Regulation Voltage Set Point “Va” (Point “C”) and is sustained for a minimum period of around 50 to 55 sec, the controller transitions to Absorption Stage. At the end of the Bulk Stage, the battery is charged to around 80% capacity. The balance of 20% capacity is restored in the next Absorption Stage.

Stage - 2: Absorption Stage. Refer to Fig 4.2A. The controller enters this stage at Point “C” from the previous Bulk Stage when the battery voltage reaches the Absorption Voltage Regulation Set Point “Va” and is sustained for a minimum period of around 50 to 55 sec. This stage is timed for 1 Hr - either continuous or cumulative (Curve Portion C to D).

In this stage, the Switch operates under PWM control by feeding pulsing Short Circuit Current “ I_{sc} ” with constantly reducing Duty Cycle (< 100% and > 0%) / average current to keep the battery voltage constant at the Absorption Voltage Regulation Set Point “Va” (Curve portion C to D). This is equivalent to Constant Voltage Charging. This is an intentional, controlled over voltage condition for the battery for 1 Hr. This is necessary to return the balance 20% of the capacity. At this voltage, the battery starts gassing (evolution of Hydrogen and Oxygen due to electrolysis of water in the electrolyte) and hence, it is necessary to exit this stage as soon as 100% capacity is restored. If this over voltage condition is allowed to continue after 100% recharging, the battery will be damaged due to effects of overcharging like overheating, loss of water, corrosion of the Positive plates and excessive build up of pressure resulting in acid spillage due to opening of pressure activated relief valves (sealed batteries). The balance of 20% of the battery capacity is restored in this stage. As the battery capacity rises from 80% to 100%, the PWM control tapers the current by continuously reducing the Duty Cycle from < 100% to > 0%.

NOTE: Change over to the next Float Voltage Regulation Set Point “Vf” is possible only after the battery voltage is held at the selected Absorption Voltage Regulation Set Point “Va” for continuous or cumulative period of 1 Hour. If “Va” cannot be maintained continuously / cumulatively for 1 Hr, transition to

SECTION 4 | FEATURES & OPERATION

Float Stage will NOT take place (the periods during which the battery voltage falls below “Va” are not counted towards 1 hour time period).

During Absorption Stage, if the load current is more than the current from the solar panel, the battery voltage will drop. If the battery voltage drops around 1V below the Absorption Voltage Regulation Set Point “Va” for around 1 min, the controller reverts to Bulk Stage. PWM DUTY Cycle is changed to 100%.

Stage - 3: Float Stage. Refer to Fig 4.2A. The controller enters this stage from the previous Absorption Stage at point “D” after the battery voltage is held at the selected Absorption Voltage Regulation Set Point “Va” for continuous or cumulative period of 1 Hour.

During this stage (Curve portion “D” to “E”), the Switch operates under PWM control by feeding pulsing Short Circuit Current “Isc” with very low Duty Cycle of 0% to < 10% to keep the battery voltage constant at the Float Voltage Regulation Set Point “Vf”. During this stage, the battery is 100% charged and a very low “Trickle Charge” of around 0.1% of the Ah Capacity is required to be fed to the battery to compensate for self-discharge. The battery can be left at this stage for prolonged period of time.

NOTE: *During Float Stage, if the load current is more than the current from the solar panel, the battery voltage will drop. If the battery voltage drops around 1V below the Float Voltage Regulation Set Point “Vf” continuously for around 1 hour, the controller reverts to Stage 1: Bulk Stage.*

4.2.4 Equalization Charging Cycle



CAUTION!

- Equalization is carried out only for non-sealed / vented / flooded / wet cell Lead Acid batteries.
- Do not equalize sealed Lithium / VRLA type of AGM / Gel Cell batteries unless permitted by the battery manufacturer
- Top up the electrolyte with distilled water after completion of equalization.
- Excessive overcharging and gassing too vigorously can damage the battery plates and cause shedding of active material from the plates. An equalization that is too high or for too long can be damaging. Review the requirements for the particular battery being used in your system.
- There should be no load on the batteries and there should be full bright sun for the entire day (no shade or clouds) to ensure that maximum available current from the panels can be used to equalize the batteries.
- The Short Circuit Current of the panels should be at least 5% to 10% of the Ah capacity of the battery bank

Equalization is intentional overcharging of the battery for controlled period of time. Typically used on Flooded batteries routine equalization cycles are often vital to the performance and life of a battery. The battery manufacturer will provide details on the frequency and equalization voltage to be used.

SECTION 4 | FEATURES & OPERATION

Stage - 1: Bulk Stage. Refer to Fig 4.2B. During the night of the 27th day, the battery voltage will drop below the Float Transition Voltage Set Point “Vf” (Curve portion A1 to B1), as there is no sun and discharging takes place due to loads that are powered during the night e.g. night lighting.

When the sun is available in the morning on the 28th day, Equalization is activated and charging commences in Stage -1, Bulk Stage. During this stage (Curve portion B1 to C1), the Switch is kept at 100% Duty Cycle (ON continuously) and hence, maximum current equal to the available Short Circuit Current “I_{sc}” of the panel is fed to the battery and the battery voltage starts rising. This is equivalent to Constant Current Charging. When the battery voltage approaches the Absorption Transition Voltage Set Point “Va”, it starts gassing. As the voltage rises further towards the Equalization Voltage Regulation Set Point “Ve”, gassing increases. When the battery voltage reaches the Equalization Voltage Regulation Set Point “Ve” and is sustained for a minimum period of around 50 to 55 sec, the controller transitions to Equalization Stage (Point C1). At the end of the Bulk Stage, the battery is charged to around 80% capacity. The balance of 20% capacity is restored in the next Equalization Stage.

Stage - 2: Equalization Stage. Refer to Fig 4.2B. The controller enters this stage at point “C1” from the previous Bulk Stage when the battery voltage reaches the Equalization Voltage Regulation Set Point “Ve” and is sustained for a minimum period of around 50 to 55 sec. This stage is timed for continuous / cumulative period of 1/2/3 Hours based on the programmed type of battery. During the Equalization period (Curve portion C1 to D1), the battery is in overcharge condition, is gassing and bubbling vigorously and the electrolyte gets stirred up resulting in removal of stratification. Also, weaker cells are brought up to full charge (equalized).

In this stage, the Switch operates under PWM control by feeding pulsing Short Circuit Current “I_{sc}” with constantly reducing Duty Cycle (< 100% and > 0%) / average current to keep the battery voltage constant at the Equalization Voltage Regulation Set Point “Ve” (Curve portion C1 to D1). This is equivalent to Constant Voltage Charging. This is an intentional, controlled over charge condition for the battery for 1/2/3 Hrs.

Change over to the next Float Voltage Regulation Set Point “Vf” is possible only after the battery voltage is held at the selected Equalization Voltage Regulation Set Point “Ve” for continuous or cumulative period of 1/2/3 Hours depending upon the programmed type of battery. If “Ve” cannot be maintained continuously / cumulatively for 1/2/3 Hrs, the charger will NOT exit out of Equalization Stage and transition to Float Stage will NOT take place.

Automatic Equalization

Automatic equalization after interval of 28 days or manual equalization can be selected using DIP Switch 5 located at the back of the unit (Fig 5.2). Please refer to Fig 4.2B.

NOTE: During Equalization Stage, if the load current is more than the current from the solar panel, the battery voltage will drop. If the battery voltage drops around 1V below the Equalization Transition Voltage Set Point “Ve” for around 1 min, the controller reverts to Bulk Stage with 100% Duty Cycle. The front

SECTION 4 | FEATURES & OPERATION

panel Status LED will still be blinking Orange. It will revert to PWM when the battery voltage reaches Equalization Transition Voltage Set Point "Ve" and is sustained for a minimum period of around 50 to 55 sec.



WARNING!

Once Equalization Stage is activated, it will not exit this Stage unless there is adequate charging current from the solar panel to charge the battery up to the programmed Equalization Voltage Regulation Set Point.

The following should be ensured to prevent locking in Equalization Mode:

- There should be no load on the batteries
- The panels should have adequate charging current capacity as compared to the Ah capacity of the batteries: Short Circuit Current Isc of the panels should be at least 5% to 10% of Ah capacity of the battery bank
- There should be adequate sunlight – full bright sun for the entire day (no shade or cloud)

Stage 3: Float Stage. The controller enters this stage from the previous Equalization Stage at point "D1" after the battery voltage is held at the programmed Equalization Voltage Regulation Set Point "Ve" for continuous or cumulative period of 1/2/3 Hour. During this stage (Curve portion "D1" to "E1"), the Switch operates under PWM control by feeding pulsing Short Circuit Current "Isc" with very low Duty Cycle of 0% to < 10% to keep the battery voltage constant at the Float Voltage Regulation Set Point "Vf". During this stage, the battery is 100% charged and a very low "Trickle Charge" of around 0.1% of the Ah Capacity is required to be fed to the battery to compensate for self-discharge. The battery can be left at this stage for prolonged period of time.

NOTE: *During Float Stage, if the load current is more than the current from the solar panel, the battery voltage will drop. If the battery voltage drops around 1V below the Float Voltage Regulation Set Point "Vf" continuously for around 1 hour, the controller reverts to Bulk Stage.*

Manual Equalization

Manual equalization can be selected with the help of DIP Switch 5 located at the back of the unit (Fig 5.1).

When manual equalization is selected, equalization can only be started and stopped manually with the Equalization Button on the front panel of the unit (Fig 5.1).

- Switch ON: Press and hold Equalization Button for 5 sec
- Switch OFF: Press and hold Equalization Button for 2 sec

Whenever manual equalization is started, the controller starts from Stage -1 Bulk Stage as explained above.

Termination of Equalization Stage in Manual Mode Before Completion: If the unit is set for manual Start / Stop of Equalization Stage (Using DIP Switch No. 5) and equalization

SECTION 4 | FEATURES & OPERATION

is switched ON but is switched OFF before completion, the charger reverts to “Bulk Stage” and undergoes Standard Charging Cycle explained in Section 4.2.2.

4.2.5 Temperature Compensation

The temperature of the battery electrolyte affects the rate of chemical reactions in the batteries as well as the rate of diffusion and the resistivity of the electrolyte. Therefore, the charging characteristics of the battery will vary with temperature. This is nearly linear and the Voltage Coefficient of Temperature Change is normally taken as -3 mV to -5 mV / °C / Cell. Please note that the Voltage Coefficient of Temperature Change is negative which means that as the temperature rises, the charging voltage is reduced and as the temperature is decreased, the charging voltage is increased.

All charging voltage set points are normally specified at 25°C / 77°F. In PV systems, battery temperatures often vary up to 15°C from the 25°C reference. The Absorption, Float & Equalization Voltages must then be adjusted, or a controller with Temperature Sensor should be used. Table 3.4 on page 14 shows example of adjustments for Absorption Voltage of say 14.4V for 12V battery (based on Voltage Coefficient of Temperature Change as -5 mV / °C / Cell or -30mV (.03V) for a 6 cell, 12V battery).

In case temperature compensation is not provided, the warmer battery at 40°C will begin to heat and outgas at 13.95V and will continue to overcharge until the non-compensated Absorption Voltage set point is reached (14.4V). In cooler temperatures, the 10°C battery will experience severe undercharging resulting in sulfation.

The controller has provision for temperature compensation with the help of an optional Temperature Sensor (Model 30AB-TS). This Temperature Sensor is required to be connected to the terminals marked BTS+ and BTS- (Fig 5.1).

It is recommended that the above Temperature Sensor may be used if the battery electrolyte temperature varies more than 5°C to 10°C (9°F to 18°F) from the reference temperature of 25°C (77°F).

4.3 Lithium Battery Charging

The following settings are for Lithium batteries designed for drop in replacement of lead acid batteries.

DIP SWITCH 2-3-4	ABSORB VOLT	FLOAT VOLT	EQUAL VOLT	EQUAL TIME	EQUAL INTERVAL
ON-ON-OFF	14.3V	13.4V	Profile for Lithium		
ON-ON-ON	14.4V	13.5V	Profile for Lithium		

Table 4.1. Lithium Battery Profile Settings for a 12V System

The profiles operate the same as the lead acid profiles with the following exceptions:

- Temperature compensation is disabled
- Absorption time is 30 min instead of 1 hour
- Reset to Bulk charging mode occurs at 13.0V for a 12V system or 26V for a 24V system
- Equalization functions are disabled

SECTION 5 | CONSTRUCTION, LAYOUT & CONTROLS

5.1 General

The EVO-30AB is designed for surface mounting. All the electronics, DIP switches for settings, terminal strip for connections of the Solar Array, Battery, Battery Temperature Sensor, and communications ports are accessible without the need for opening the cover.



CAUTION!

The power terminal blocks are exposed for ease of access. As the unit will connect to a nominal 12v or 24v Solar Array, no risk of electrical shock is present. However, the unit should be handled carefully when live and installed in a location where the terminal blocks are safe from incidental contact and short circuit. Battery short circuit currents are very high and may cause burns as well as damage the unit.

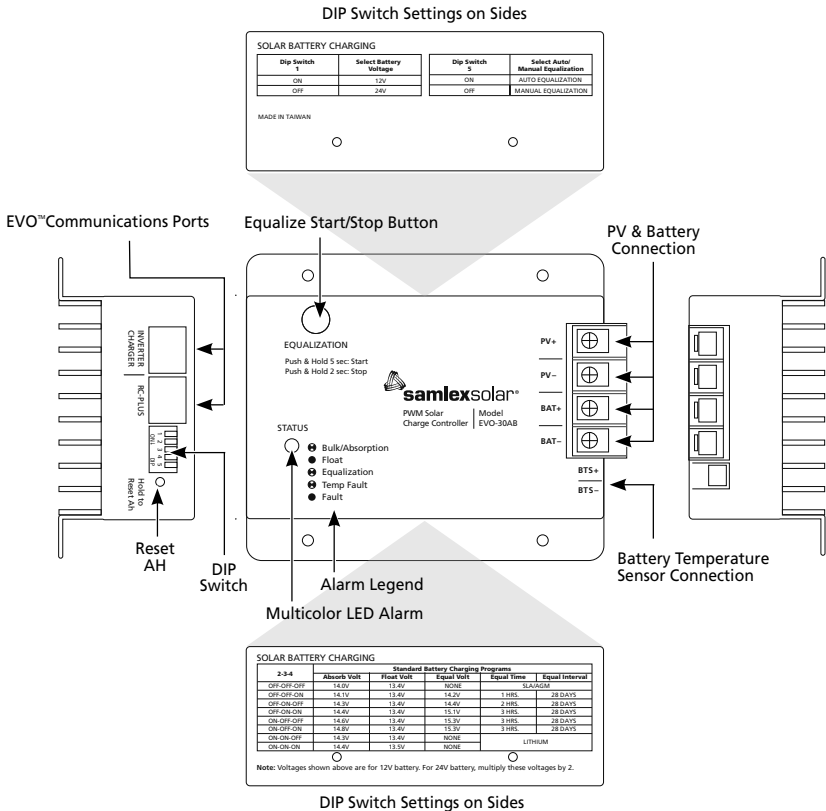


Fig. 5.1. EVO-30AB Layout

SECTION 5 | CONSTRUCTION, LAYOUT & CONTROLS

5.2 Controls & Indicators

A single, 3-color LED (GREEN, RED, ORANGE) marked "Status" (Fig 5.1) is used to indicate charging stages and faults as shown below in Table 5.1.

LED Marked "Status" (2, Fig 5.1)	Charging Stage or Fault Condition	12V Battery	24V Battery
1 Blink (Green)	Bulk	> 0.75v Below Absorption setting	> 1.5v below Absorption setting
2 Blinks (Green)	Bulk	0.75v Below Absorption setting	1.5v below Absorption Setting
3 Blinks (Green)	Bulk	0.50v Below Absorption setting	1.0v below Absorption setting
4 Blinks (Green)	Bulk	0.25v Below Absorption setting	0.5v below Absorption setting
5 Blinks (Green)	Absorption	At Absorption Voltage setting	At Absorption Voltage setting
Steady Green	Float	At Float Voltage setting	At Float Voltage setting
Blinking Orange	Equalization	In Equalization Stage	In Equalization Stage
Steady Red	Fault condition	Input current > 45A	Input current > 45A
		Low Battery < 9V	Low battery < 18V
		Battery Overvoltage > 17V	Battery Overvoltage > 34V
		Operating temperature Is < -20°C	Operating temperature Is < -20°C
Blinking Red	Over Temperature Fault Condition	Heat Sink temperature > 90°C	Heat Sink temperature > 90°C

Table 5.1. LED Display for Charging Stages & Faults

The EVO-30AB has the following controls to manage functions of the unit while operating as a standalone charge controller.

BUTTONS	ACTION
Reset AH	Push and hold to zero the Amp-Hours on optional EVO-RC-PLUS Display.
Equalize Start/Stop	When DIP Switch 5 is set at OFF, hold Equalization button for 5 sec to manually start equalization. Press it for 2 sec to stop equalization.
DIP Switch 1-5	These small switches are used to configure the voltage and charge settings of the unit. Settings are printed on the sides of the unit as of shown in Fig. 5.1.

Table 5.2. Push Button and Switch Descriptions

SECTION 5 | CONSTRUCTION, LAYOUT & CONTROLS

5.3 EVO-RC-PLUS Remote Display Operation

The EVO-RC-PLUS Remote will display EVO-30AB settings and current status. It also supports other EVO™ devices connected on the bus such as the EVO™ Inverter/Charger.

The functions provided by the EVO-RC-PLUS when connected to the EVO-30AB are described below.

For a full description of the EVO-RC-PLUS and operation with an EVO™ Inverter/Charger, refer to the EVO-RC-PLUS manual. Installation of the remote can be found in Section 1 of the EVO-RC-PLUS manual.

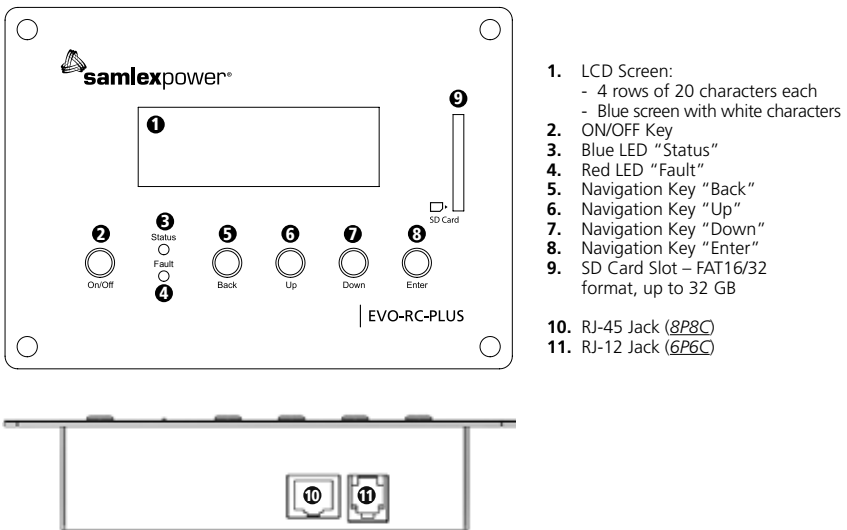


Figure 5.2 EVO-RC-PLUS Layout

5.3.1 Navigating the Remote

LCD Display (1) – This 4-line LCD display shows status and information for the EVO™ devices. All Setup Menus and faults also appear on the LCD display.

The level of brightness / dimming of the LCD backlight can be programmed to suit user preference.

On/Off Key (2) – This button has no function for the EVO-30AB. The On/Off Key is used for powering ON and OFF the EVO™ Inverter/Charger. See EVO-RC-PLUS manual for more details.

Status LED (3) – Blue LED indicator for indicating operating status. This indicator will blink every 5 seconds if the remote is connected to EVO-30AB only. Otherwise, it will operate as shown in Section 6 of EVO-RC-PLUS manual.

SECTION 5 | CONSTRUCTION, LAYOUT & CONTROLS

Fault LED (4) – Red LED indicator for indicating fault conditions. Will be ON during fault conditions.

Navigation Keys (5,6,7,8) – these four keys allow simple access to Menu Items that assist in monitoring and troubleshooting the EVO-30AB.

- Back – no effect when EVO-30AB is in the only device connected. Otherwise, use to move from main EVO™ Inverter/Charger Screen to EVO-30AB screen when EVO™ Inverter/Charger is connected.
- Up – Scroll up through the menu items.
- Down – Scroll down through the menu items.
- Enter – Select/Write a particular value or option.

SD Card Slot (9) – This slot supports SD memory card (up to 32GB, FAT 16/32). The SD Card is used for data logging of EVO™ connected devices. The following fields are captured into the log: Date and Time

- Battery Voltage
- Current
- Heatsink Temperature
- Charge Stage
- Alarms

See Section 5 of the EVO-RC-PLUS manual for details on data logging.

5.3.2 EVO-RC-PLUS Display Screens

Startup Screen

When the EVO-RC-PLUS is connected to an operational EVO-30AB, the following start up screen will be observed.

S	e	a	r	c	h	i	n	g	I	D
E	V	O	-	3	0	A	B													
S	O	L	A	R		C	H	A	R	G	E	R								
V	E	R		1	.	0	6		I	D	=	6	4							

Figure 5.3: Startup Screen

The controller will indicate “EVO-30AB” on the second line and establish a connection. VER: Indicates the firmware version of the EVO-30AB

SECTION 5 | CONSTRUCTION, LAYOUT & CONTROLS

Display Parameters

The following Display Parameters can be set using the EVO-RC-PLUS.

<p>ACTIVE LCD LIGHT</p> <pre> Select Parameter RC-PLUS SETTING * ACTIVE LCD LIGHT 4 = 100 % </pre>	<p>Sets Display Brightness when remote buttons in use.</p> <p>Refer to Section 4.9 of the EVO-RC-PLUS manual.</p>
<p>IDLE LCD LIGHT</p> <pre> Select Parameter RC-PLUS SETTING * IDLE LCD LIGHT 1 = 25 % </pre>	<p>Sets Display Brightness when unit is left idle.</p> <p>Refer to Section 4.9 of the EVO-RC-PLUS manual.</p>
<p>TIME SETTINGS</p> <pre> Select Parameter TIME SETTING * Enter the time 2000/01/01 0:00 </pre>	<p>Sets the unit time and date. Used for data log time stamp.</p> <p>Refer to Section 4.10 of the EVO-RC-PLUS manual.</p>
<p>STOP SD CARD</p> <pre> Select Parameter STOP SD CAR * 0 = No </pre>	<p>Stop the SD Card prior to removing from Remote. The unit will automatically revert back to regular operation after a minute.</p> <p>Refer to Section 4.11 of the EVO-RC-PLUS manual.</p>

Table 5.4: LCD Display Parameters

To access the parameters menu, from any of the Operational Screen, press **ENTER**.

If only the EVO-30AB is connected to the EVO-RC-PLUS then the menu map shown in Figure 5.4 is applicable.

If other equipment is connected to the EVO-RC-PLUS (such as an inverter/charger) please refer to the EVO-RC-PLUS manual Section 4.2.2 for further details.

SECTION 5 | CONSTRUCTION, LAYOUT & CONTROLS

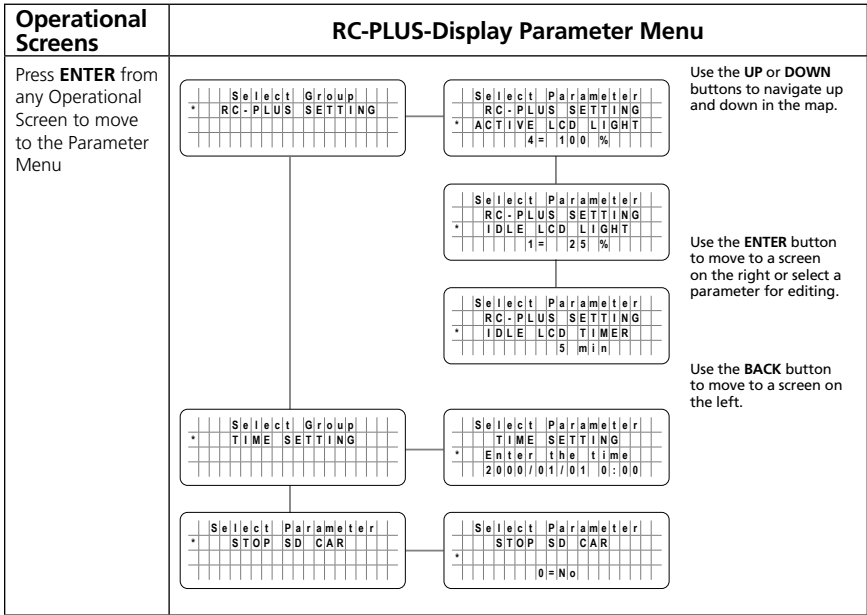


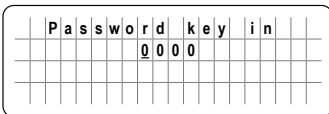
Figure 5.4: EVO-RC-PLUS and EVO-30AB Menu Map

To Modify and Save the Parameter:

- To change a cell: Use the UP / DOWN buttons
- To move to the next cell: Momentarily press ENTER
- To Save the parameter: Press and Hold ENTER for 3 to 5 seconds until the unit displays "WRITE SUCCESS!"

Example of entering values

Function: Enter Password



To enter password **8052**

Note that the cursor is already located on the first digit.

1. Up key x 8 until the value 8 is shown.
2. Press ENTER x2
3. Up key x5 until the value 5 is shown
4. Press ENTER
5. Up key x2 until the value 2 is shown
6. Press and hold ENTER for 3 to 5 seconds

WRITE SUCCESS!

SECTION 6 | INSTALLATION & SETUP

This section provides instructions on how to install and setup the EVO-30AB charge controller.



WARNING!

- **ENSURE** the battery + and - wires are correctly connected before proceeding.
- Damage due to reverse battery connection is not covered under warranty!
- When connecting the battery, connect the battery Negative first & then the battery Positive. When disconnecting the battery, disconnect battery Positive first & then battery Negative.



WARNING!

- The solar charge controller shall only be connected to the battery by trained personnel and in accordance with applicable regulations.
- Follow the installation and operating instructions for all components of the PV system.
- Ensure that no cables are damaged.

6.1 Wire Sizing

Solar Panel to Controller and Controller to the Battery

Wiring should be sized as recommended in the Table below:

Current, A	Wire Size in AWG					
	#12	#10	#8	#6	#4	#2
	Running Distance in ft.: Controller to Solar Panel or Controller to Battery					
Up to 10	15	30	40	80	120	130
11A to 20A	10	15	20	40	60	100
21A to 30A	-	10	15	25	40	60

Table 6.1. Recommended Wire Size

NOTES:

- Running distance is the actual distance taking into consideration the complete circuitous route followed by the wires for installation. Both the length of Positive and Negative cables. If the Red cable is 5' and Black is 7' the Running Distance is 12'.
- Current is the total Short Circuit Current I_{sc} of the Solar Panel / Array. Maximum continuous current allowed is 30A.
- If the actual running distance does not match distance shown, select the wire size for the next higher distance. For example, if I_{sc} is 15A and running distance is 12ft, use AWG # 10.
- EVO-30AB prevents reverse current leakage at night, so an external Blocking Diode is not required in the system.
- Connecting wires should be sized to limit voltage drop from 3% between the charge controller and the battery. Table 6.1 is based on a 3% voltage drop.
- Tighten each terminal clamping screw to 20 inch-pounds of torque.
- EVO-30AB is designed to regulate power from a PV array. Other chargers can be connected directly to the battery with no effect on EVO-30AB.

SECTION 6 | INSTALLATION & SETUP

6.2 Selecting a Location and Mounting

Mount the EVO-30AB in a location that is free from moisture and dirt.

The location should meet the temperature operating requirements and the unit should be placed in a space that allows good circulation of air for heat dissipation.

- Keep away from direct sources of heat and out of direct sunlight.
- Mount on a non-flammable surface.
- Place the charge controller against the wall.
- Fasten the solar charge controller to the wall with the four screws.
 - Four self tapping 5/8" screws have been provided, but other hardware may be required depending on the surface the unit is being mounted to.

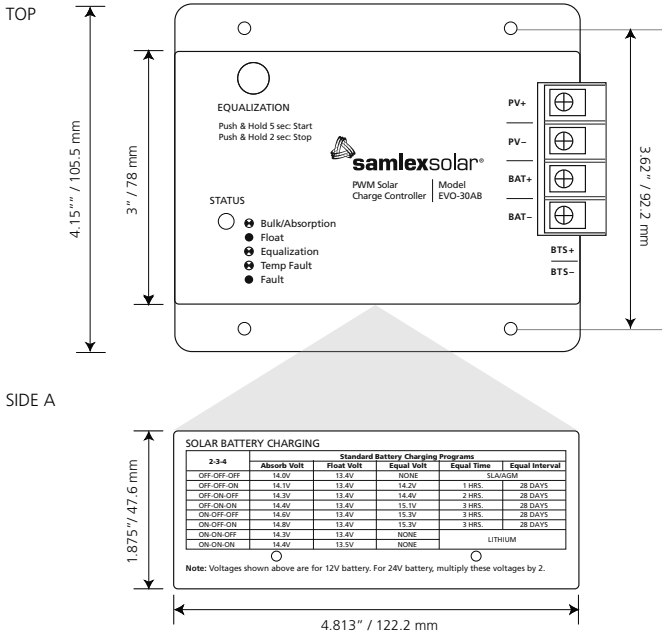


Fig. 6.1. EVO-30AB Dimensions

SECTION 6 | INSTALLATION & SETUP

6.3 Connections and Setup

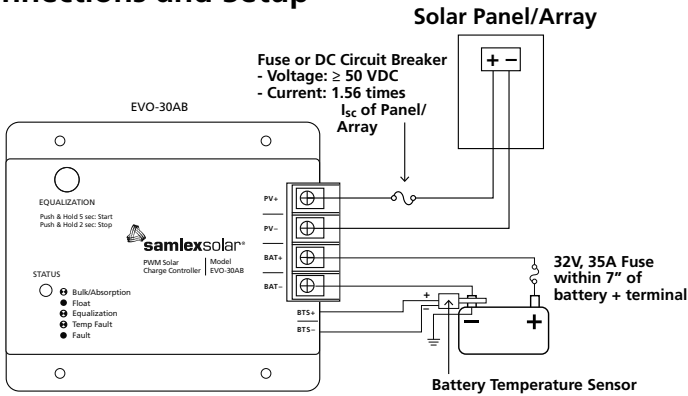


Fig. 6.2. EVO-30AB Wiring Diagram

1. The connections to the EVO-30AB terminals are shown in the drawing in Fig. 6.2. A barrier type of Terminal Strip has been provided for connecting the PV array and the battery. M-4 screws with clamping washers are used to make the connection. Use a flat or a #2 Phillips head screw driver to tighten screws. Tighten each screw to 20 inch-pounds of torque. The distance between the barriers is 9 mm and a standard Spade Type of terminal lug meant for #8 Stud and AWG #10 – AWG #12 wire may be used at the end of the wires to be connected to these terminals. **4 terminal lugs with #8 stud and #10-12 Awg cable provided as well as 4 terminal lugs with #8 stud and #8 Awg cable are provided.**
2. Set DIP Switch 1 for the voltage system, Set DIP Switches 2, 3, 4 for battery type and charging algorithm (see Table 6.2 and 6.3).
3. **Fuse the Positive Battery wire (Not provided): Use 32V, 35A fuse in series with the Positive battery wire. Locate the fuse within 7" of the battery Positive post.**
4. Connect the BATTERY first.
Be careful that the bare wires do not touch the metal case of the controller. Connect battery Negative first and then the battery Positive.



WARNING!

The BATTERY must be connected before the Solar Panel / Array to properly start the microcontroller, activate protections & guide installation.

A battery below 9V for 12V battery or 18V for 24V battery may not start the microcontroller properly. Make sure the battery is charged before installing the system.

As soon as Battery (+) is connected, the Status LED (Fig 5.1) will be steady Orange and then, the LED will blink Green.

SECTION 6 | INSTALLATION & SETUP

5. Connect the Solar Panel / Array next. It is recommended that the Positive of the PV Panel/ Array be routed through DC Circuit Breaker or DC Disconnect Switch (Rated at ≥ 50 VDC and current capacity = 1.56 times the Short Circuit Current "Isc" of the Solar Panel/Array).

Remember that the Solar Panel /Array will generate power whenever in sunlight. Be careful not to short circuit the Solar Panel /Array while connected to the controller, as this will damage the controller.

6. The Negative system conductor of the battery must be properly grounded as required by code.

6.3.1 DIP Switch Settings

Five DIP Switches permit the following parameters to be adjusted at the installation site:

NAME	DESCRIPTION	
DIP SWITCH 1	ON*	Selection of Battery Voltage for 12V system
	OFF	Selection of Battery Voltage for 24V system
DIP SWITCH 2,3,4	Battery charge control mode: Battery charging algorithm (see Table 6.1)	
DIP SWITCH 5	ON	Selection of Auto Equalization
	OFF*	Selection of Manual Equalization

*Factory preset condition

Table 6.2. Dip Switch Settings

Standard Battery Charging Programs

EVO-30AB provides 8 standard battery charging algorithms (programs) that are selected with DIP Switches 2, 3, 4.

Table 6.3 below summarizes the major parameters of the standard charging algorithms.

Note that all the voltages are for 12V systems. For 24V system, multiply the voltages by 2.

- Consult the battery manufacturer / battery specifications & select the appropriate Algorithm.
- The unit is preset for Battery Type 1 (OFF-OFF-OFF) for a sealed / VRLA battery.
- Check your battery manufacturer's recommended voltage and set the DIP switch settings that are the closest to those values.

NOTES:

1. All Voltage values are at battery temperature of 25°C (77°F).
2. All the voltages given in the Table are for 12V Battery System.
For 24V Battery Systems multiply the voltage values by 2.

SECTION 6 | INSTALLATION & SETUP

DIP Switches (2-3-4)	A	B	C	D	E	F
	Battery Type	Absorption Voltage	Float Voltage	Equalize Voltage	Equalize Time (hours)	Equalize Interval (days)
OFF-OFF-OFF (Factory Preset)	1 – Sealed	14.0	13.4	None	-	-
OFF-OFF-ON	2 – Sealed	14.1	13.4	14.2	1	28
OFF-ON-OFF	3 - Sealed	14.3	13.4	14.4	2	28
OFF-ON-ON	4 - Flooded	14.4	13.4	15.1	3	28
ON-OFF-OFF	5 - Flooded	14.6	13.4	15.3	3	28
ON-OFF-ON	6 - Flooded	14.8	13.4	15.3	3	28
ON-ON-OFF	7 - Lithium	14.3	13.4	None	-	-
ON-ON-ON	8 - Lithium	14.4	13.5	None	-	-

Table 6.3. Standard Battery Charging Programs

- A. **Battery Type** These are generic Lead-Acid – wet cell (Lead Antimony, Lead Calcium), sealed AGM, sealed Gel Cell and Lithium battery types.
- B. **Absorption Voltage** This is the Absorption Voltage Regulation Set Point.
- C. **Float Voltage** This is the Float Voltage Regulation Set Point.
- D. **Equalization Voltage** This is the Equalization Voltage Regulation Set Point.
- E. **Equalization Time** The charging at the selected Equalization Voltage will continue for this number of hours.
- F. **Equalization Interval** If automatic equalization is enabled (with DIP Switch 5). Equalizations are typically done once a month. Most of the cycles are 28 days so equalization will begin on the same day of the month. Each new cycle will be reset as equalization starts so that setting day period will be maintained.

6.4 Equalization Operation

When Equalization is activated, the following indications will be seen on the EVO-30AB unit:

- Status LED will blink Orange, once per second
- Once the battery is overcharged and its voltage rises to the Equalization Voltage Regulation Set Point and is sustained at this level for the programmed period, the charger will revert to Float Stage – Status LED will be steady Green.

NOTE: If for any reason charging current is not sufficient to raise the Battery Voltage to the Equalization Voltage Regulation Set Point and sustain this voltage for the programmed duration, equalization will be carried forward to the following day(s) and will continue to remain locked in Equalization Stage until cumulative time period is achieved. Equalization may be terminated manually and re-started when adequate sun is available. Also, please remove all loads on the battery to ensure that full current from the panels is available to complete equalization in one session.

SECTION 6 | INSTALLATION & SETUP



WARNING!

DIP Switch Settings for Failed Communications

The DIP switch on the EVO-30AB charge controller should be programmed in case the communications cable becomes disconnected to the EVO™ Inverter/Charger. The EVO-30AB will revert to the DIP switch settings if this happens.

6.4.1 Manual Equalization

With the DIP Switch 5 (Fig 5.1) is set for manual equalization (OFF position) and a charge profile is selected with Equilize Voltage (Table 6.3). The push button marked "Equalization" (Fig 5.1) is used to start and stop a manual equalization charge cycle. **Hold the push button down for 5 seconds to start and 2 seconds to stop an equalization.**

Equalizations will be terminated automatically as per the charging program selected if the push button is not used to manually stop the equalization.

6.4.2 Automatic Equalization

If the equalization DIP Switch (Fig 5.1) is moved to the ON position, equalizations will begin automatically as per the charging program selected (Table 6.3). The push button can be used to start and stop equalizations in both the Manual and Automatic Modes.

6.5 Temperature Compensation Operation

Optional Sensor: Model Name 30AB-TS

An optional Battery Temperature Sensor (BTS) is available for temperature compensated battery charging for profiles 1-6. Profiles 7 and 8 for lithium have this feature disabled, but the sensor can still be used to monitor temperature.



CAUTION!

The wiring of the Temperature Sensor is polarized and is marked (+) and (-). Please observe correct polarity of connection to terminals BTS+ and BTS-.

BTS consists of a temperature sensing probe that is installed on the (-) Negative battery post (Fig. 6.2). The temperature of the battery post reflects the approximate temperature of the electrolyte. A pair of 10 metres wires (marked + & -) connect the temperature sensing probe to the 2 terminals marked (+) BTS and (-) BTS.

It is recommended that Battery Temperature Sensor (BTS) is used if the battery temperature (measured at the + terminal stud) fluctuates more than 5°C to 10°C (9°F to 18°F) from the reference temperature of 25°C (77°F).

SECTION 6 | INSTALLATION & SETUP

The Battery Temperature Sensor (BTS) corrects the Absorption, Equalization & Float Voltage by the following values (reference temperature is 25°C / 77°F):

- 12V battery: $-0.030\text{V per }^{\circ}\text{C}$ ($-0.017\text{V per }^{\circ}\text{F}$).
- 24V battery: $-0.060\text{V per }^{\circ}\text{C}$ ($-0.033\text{V per }^{\circ}\text{F}$).

Typical compensation is given in Table 6.4 below:

BATTERY ELECTROLYTE TEMPERATURE	VOLTAGE COMPENSATION	
	12V BATTERY	24V BATTERY
50°C / 122°F	- 0.75V	- 1.50V
45°C / 113°F	- 0.60V	- 1.20V
40°C / 104°F	- 0.45V	- 0.90V
35°C / 95°F	- 0.30V	- 0.60V
30°C / 86°F	- 0.15V	- 0.30V
25°C / 77°F (Reference)	0V (Reference)	0V (Reference)
20°C / 68°F	+ 0.15V	+ 0.30V
15°C / 59°F	+ 0.30V	+ 0.60V
10°C / 50°F	+ 0.45V	+ 0.90V
5°C / 41°F	+ 0.60V	+ 1.20V
0°C / 32°F	+ 0.75V	+ 1.50V

Table 6.4. Temperature Compensation of Voltage Settings

SECTION 6 | INSTALLATION & SETUP

6.6 Connections & Setup with EVO™ Products

Refer to Section 4 for a description of features and benefits when using the EVO-30AB in the following configurations.

- With **Remote Display**
- With an **EVO™ Inverter/Charger and a Remote Display**
- With an **EVO™ Inverter/Charger and no Display**

6.6.1 Remote Display – EVO-RC-PLUS (Option)

1. Set the DIP switch on the EVO-30AB. Settings are provided on unit or found in Section 4.
2. Install the EVO-30AB as described in Section 6.1 to 6.3 of this manual.
3. Install the EVO-RC-PLUS in accordance with the EVO-RC-PLUS manual.
4. Connect the communications cable between the Charge Controller and the EVO-RC-PLUS as shown in the Figure 6.3.

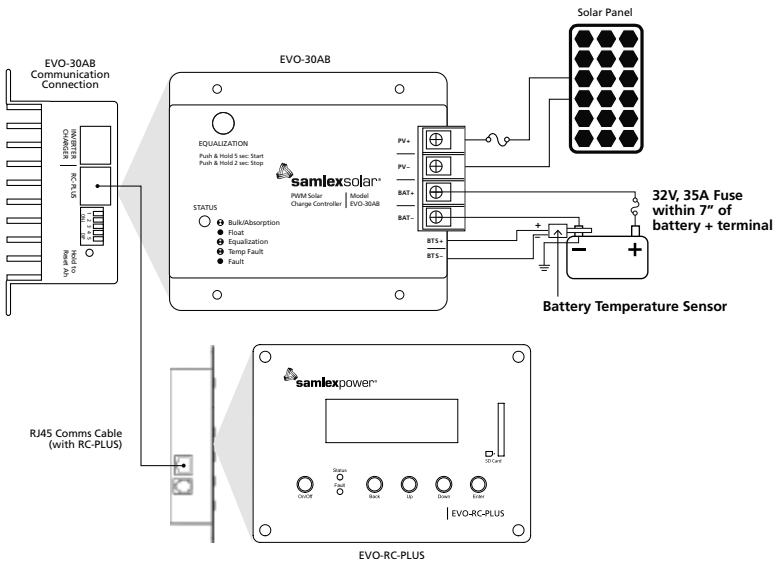


Fig. 6.3 EVO-30AB with EVO-RC-PLUS Wiring Diagram

SECTION 6 | INSTALLATION & SETUP

6.6.2 EVO-30AB with EVO™ Inverter/Charger and EVO-RC-PLUS

Installing the EVO-30AB Charge Controller, an EVO-RC-PLUS, and an EVO™ Inverter/Charger makes your complete power system manageable from one monitoring device. The EVO-RC-PLUS will display alarms and status for both the EVO-30AB and the EVO™ Inverter/Charger.

1. Install and turn on the EVO™ Inverter/Charger in accordance with the EVO™ manual.
2. Set the DIP switch on the EVO-30AB. Settings are provided on unit or found in Section 4.
3. Install the EVO-30AB as described in Section 6.1 to 6.3 of this manual, but making the battery connection to the "External DC Charger connection on the EVO™ Inverter/Charger. See Fig 6.4 below.
4. Install the EVO-RC-PLUS in accordance with the EVO-RC-PLUS manual.
5. Connect the communications cable between the EVO™ Inverter/Charger to the EVO-30AB as shown in the Figure 6.4 below.
6. Connect the communications cable between the Charge Controller and the EVO-RC-PLUS as shown in Figure 6.4 below.

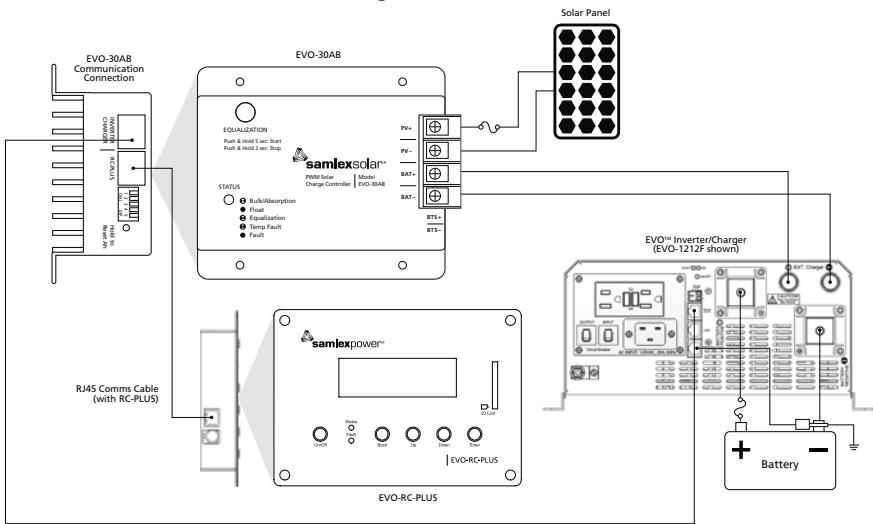


Fig 6.4 EVO-30AB with EVO-RC-PLUS and EVO™ Inverter/Charger Wiring Diagram

SECTION 6 | INSTALLATION & SETUP

6.6.3 EVO-30AB with EVO™ Inverter/Charger (No EVO-RC-PLUS)

When the EVO-30AB is installed with an EVO™ Inverter/Charger without the EVO-RC-PLUS, the EVO-30AB will operate based on the DIP switch settings only. The inverter/charger will manage its charge current based on the output current of the EVO-30AB, as described in the EVO™ manual (Section 5.4).

1. Install and turn on the EVO™ Inverter/Charger in accordance with the EVO™ manual.
2. Set the *DIP switch on the EVO-30AB. Settings are provided on unit or found in Section 4.
3. Install the EVO-30AB as described in Section 6.1 to 6.3 of this manual, but making the battery connection to the "External DC Charger connection on the EVO™ Inverter/Charger. See Fig 6.5 below.

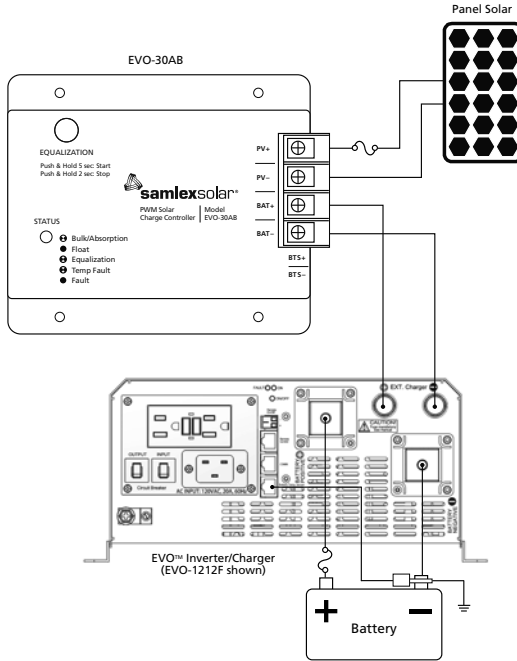


Fig 6.5 EVO-30AB with EVO™ Inverter/Charger

SECTION 7 | TROUBLESHOOTING

7.1 Fault Indicators

Troubleshooting the EVO-30AB controller is simplified with the use of the optional EVO-RC-PLUS display. Some basic troubleshooting procedures are listed below.

EVO-RC-PLUS (Optional Display)	EVO-30AB FAULT LED	DESCRIPTION	CAUSE OF FAULT / REMEDY
!!Over Current	Steady Red	Over Current	Input current exceeds 150% of the rated current of 30A i.e. 45A
!!Over Temperature	Blinking Red	Heat Sink over Temperature	Heat sink temperature exceeds 90°C Auto-reset below 70°C
Display is dim or OFF	OFF or Steady Red	Display Panel Error	<ol style="list-style-type: none"> The CPU is not able to exchange data with the Display Panel. Battery voltage is below 7V ± 0.2V
!!Batt Low Voltage	Steady Red	Low Voltage	<ol style="list-style-type: none"> Low Battery Voltage: < 9V for 12V Battery < 18V for 24V Battery If this symptom is for a 12V Battery System, check & ensure that DIP Switch 1 at the back of the unit is selected for 12V battery and not for 24V battery.
!!Heat Sink SR Open	Steady Red	Low Operating Temperature	Operating temperature is below -20°C (-4°F). Increase operating temperature is above -20°C (-4°F) to clear alarm.
!!Batt Over Voltage	Steady Red	Battery Over Voltage	Battery Voltage is High: 12V System: > 17V 24V System: > 34V Auto reset below 16.2V or 13.4V <ol style="list-style-type: none"> Check DIP SWITCH is set correctly. Disconnect other chargers to battery. If problem persists contact Samlex America for assistance.
!!BSE Bat Sense Error	Steady Red	Battery Temperature Sensor Failure	The battery temperature sensor has failed. <ol style="list-style-type: none"> Disconnect the temperature sensor to clean alarm. Replace temperature sensor at earliest convenience (Item 30AB-TS)

Table 7.1. Fault Indications & Remedies

SECTION 7 | TROUBLESHOOTING

7.2 Symptom 1. Battery is not Charging

1. Check the Status LED. This should be ON if the battery is connected.
2. Check that proper Battery Charging Algorithm (Program) has been selected by DIP Switches 2, 3, 4 (Table 6.3).
3. Check that all wire connections in the system are correct and tight. Check the polarity (+ and -) of the connections.
4. Measure the PV array Open Circuit Voltage and confirm it is within normal limits. If the voltage is low or zero, check the connections at the PV array itself. Disconnect the PV array from the controller when working on the PV array.
5. Check that the load is not drawing more energy than the PV array can provide.
6. Check if there are excessive voltage drops between the controller and the battery. This will cause undercharging of the battery.
7. Check the condition of the battery. Determine if the Battery Voltage drops at night with no load. If it is unable to maintain its voltage, the battery may be failing.
8. Measure the PV Voltage and the Battery Voltage at the EVO-30AB terminals. If the voltage at the terminals is the same (within a few tenths of V) the PV array is charging the battery.
9. If the PV Voltage is close to the open Circuit Voltage of the panels and the Battery Voltage is low, the controller is not charging the batteries and may be damaged.

7.3 Symptom 2. Battery Voltage is too High

1. Check to see if the Status LED is blinking Green at 5 blinks, if so, the unit is in Absorption.
2. First check operating conditions to confirm that the voltage is higher than specifications.
3. Check that proper Battery Charging Algorithm (Program) has been selected by DIP Switches 2, 3, 4.
4. Check that all wire connections in the system are correct and tight.
5. Disconnect the PV array and momentarily disconnect the lead from the Battery Positive terminal BAT+. Reconnect the battery terminal and leave the PV array disconnected. The Status LED will continue to blink Green. Check the Open Circuit Voltage of the PV array. It should match the specs for the array and should be less than 50V.
6. With the PV array disconnected, there should be no voltage reading on the PV+ and PV- terminals. If voltage on the PV+ and PV- terminals reads almost equal to the Battery Voltage, the controller is damaged.

SECTION 8 | SPECIFICATIONS

MODEL NO.	EVO-30AB
INPUT	
MAX. OPEN CIRCUIT VOLTAGE (V_{oc}) OF SOLAR PANEL / ARRAY	50V
MAX. SHORT CIRCUIT CURRENT (I_{sc}) OF SOLAR PANEL / ARRAY	30A
TOTAL SELF CONSUMPTION CURRENT	50 mA
OUTPUT / CHARGING	
TYPE OF CONTROLLER	Series, Pulse Width Modulation (PWM)
NOMINAL BATTERY SYSTEM VOLTAGE	12V / 24V (Switch selectable)
MIN. BATTERY VOLTAGE TO START MICRO-CONTROLLER, ACTIVATE PROTECTIONS AND GUIDE OPERATION	9 VDC for 12V Battery 18 VDC for 24V Battery
BATTERY TYPES	Lead Acid: Flooded/AGM/Gel Cell; Lithium
CHARGING ALGORITHM	4 Stage: Bulk, Absorption, Float, Equalization
CHARGING PROGRAMS	8 Programs (Switch selectable)
ABSORPTION VOLTAGE*	14.0V to 14.8V
FLOAT VOLTAGE*	13.4V / 13.5V
EQUALIZATION VOLTAGE*	14.2V to 15.3V - 1 to 3 hrs* - Manual or automatic after 28 days interval*
VOLTAGE REGULATION SET POINT ACCURACY	± 50mV
TEMPERATURE COMPENSATION (WITH OPTIONAL PROBE)	
TEMPERATURE SENSE PROBE (MODEL 30AB-TS)	33ft (10m)
COMPENSATION OPERATION	-30mV / °C for 12V Battery -60mV / °C for 24V Battery
ACTIVE TEMPERATURE RANGE	-20°C to 50°C
REMOTE DISPLAY (OPTIONAL)	
LCD DISPLAY	EVO-RC-PLUS 4 Lines x 20 Character, Alpha Numeric Backlit Display for operational parameters and fault messaging.
PROTECTIONS	
OVER CURRENT	Shut down at input current > 45A
OVER TEMPERATURE OF HEAT SINK (FACE PLATE)	Temperature > 90°C: Disconnect panel / array - Reconnect when cools down to 70°C
ENVIRONMENTAL	
OPERATING TEMPERATURE RANGE	-20°C to 50°C / -4°F to 112°F
STORAGE TEMPERATURE RANGE	-55°C to 85°C / - 67°F to 185°F
HUMIDITY	95%, Non- condensing
MECHANICAL	
DIMENSIONS (W X D X H)	122 X 105.5 x 47.6 mm / 4.81 x 4.15 x 1.87 in
WEIGHT	0.4 kg / 0.8 lb
ENCLOSURE / FACE PLATE	Powder coated steel. For indoor use
COMPLIANCE	
EMI / EMC	FCC Part 15(B), Class B
ACCESSORIES INCLUDED	
INSULATED SPADE LUGS FOR INPUT / OUTPUT WIRING CONNECTIONS	4 Pieces for #8 Stud for AWG #12-10 Wire 2 Pieces for #8 Stud for AWG # 8 Wire
SELF TAPPING SCREWS FOR INSTALL	7 x 19, 5/8"; Type 25 Point; Flat Head; Phillips

* BASED ON SELECTED PROGRAM - SEE TABLE 6.3

Specifications subject to change without notice.

SECTION 9 | Warranty

5 YEAR LIMITED WARRANTY

EVO-30AB manufactured by Samlex America, Inc. (the “Warrantor”) is warranted to be free from defects in workmanship and materials under normal use and service. The warranty period is 5 years for the United States and Canada, and is in effect from the date of purchase by the user (the “Purchaser”).

Warranty outside of the United States and Canada is limited to 6 months. For a warranty claim, the Purchaser should contact the place of purchase to obtain a Return Authorization Number.

The defective part or unit should be returned at the Purchaser’s expense to the authorized location. A written statement describing the nature of the defect, the date of purchase, the place of purchase, and the Purchaser’s name, address and telephone number should also be included.

If upon the Warrantor’s examination, the defect proves to be the result of defective material or workmanship, the equipment will be repaired or replaced at the Warrantor’s option without charge, and returned to the Purchaser at the Warrantor’s expense. (Contiguous US and Canada only)

No refund of the purchase price will be granted to the Purchaser, unless the Warrantor is unable to remedy the defect after having a reasonable number of opportunities to do so. Warranty service shall be performed only by the Warrantor. Any attempt to remedy the defect by anyone other than the Warrantor shall render this warranty void. There shall be no warranty for defects or damages caused by faulty installation or hook-up, abuse or misuse of the equipment including exposure to excessive heat, salt or fresh water spray, or water immersion.

No other express warranty is hereby given and there are no warranties which extend beyond those described herein. This warranty is expressly in lieu of any other expressed or implied warranties, including any implied warranty of merchantability, fitness for the ordinary purposes for which such goods are used, or fitness for a particular purpose, or any other obligations on the part of the Warrantor or its employees and representatives.

There shall be no responsibility or liability whatsoever on the part of the Warrantor or its employees and representatives for injury to any persons, or damage to person or persons, or damage to property, or loss of income or profit, or any other consequential or resulting damage which may be claimed to have been incurred through the use or sale of the equipment, including any possible failure of malfunction of the equipment, or part thereof. The Warrantor assumes no liability for incidental or consequential damages of any kind.

Samlex America Inc. (the “Warrantor”)

www.samlexamerica.com

Contact Information

Toll Free Numbers

Ph: 1 800 561 5885

Fax: 1 888 814 5210

Local Numbers

Ph: 604 525 3836

Fax: 604 525 5221

Website

www.samlexamerica.com

USA Shipping Warehouses

Kent, WA

Plymouth, MI

Canadian Shipping Warehouse

Richmond, BC

Email purchase orders to

orders@samlexamerica.com



samlexamerica®

samlexamerica®



Adresse email pour
passer commande
orders@samlexamerica.com

Entrepôt Canada
Richmond, BC

Entrepôts USA
Kent, WA
Plymouth, MI

Site internet
www.samlexamerica.com

Numéros locaux
Tél: 604 525 3836
Télé: 604 525 5221

Numéros Sans Frais
Tél: 1 800 561 5885
Télé: 1 888 814 5210

Information Contact

GARANTIE LIMITÉE DE 5 ANS

EVO-30AB, fabriqués par Samlex America, Inc. (le « Garant ») sont garantis être non défectueux dans la conception et dans les matériaux, moyennant une utilisation et un service normaux. La période de garantie est de 5 ans pour les États-Unis et le Canada, et prend effet le jour de l'achat par l'utilisateur (« l'Acheteur »).

La garantie hors des États Unis et du Canada est limitée à 6 mois. Pour une réclamation concernant la garantie, l'Acheteur devra contacter le point de vente ou l'achat à été effectué afin d'obtenir un Numéro d'Autorisation pour le Retour.

La pièce ou l'unité défectueuse devra être retournée aux frais de l'acheteur au point de vente agréé. Une déclaration écrite décrivant la nature du défaut, la date et le lieu d'achat ainsi que le nom, l'adresse et le numéro de téléphone de l'Acheteur devront également être renseignés. Si à l'examination de la demande par le Garant, le défaut est réellement le résultat d'un matériel ou d'un assemblage défectueux, l'équipement sera réparé ou remplacé gratuitement et renvoyé à l'Acheteur aux frais du Garant. (États-Unis et Canada uniquement).

Aucun remboursement du prix d'achat ne sera accordé à l'Acheteur, sauf si le Garant est incapable de remédier au défaut après avoir eu plusieurs occasions de le faire. Le service de garantie doit être effectué uniquement par le Garant. Toute tentative de remédier au défaut par quelqu'un d'autre que le Garant rendent cette garantie nulle et sans effet. Il n'existe aucune garantie concernant les défauts ou dommages causés par une installation défectueuse ou inadaptee, par un abus ou une mauvaise utilisation de l'équipement, y compris, une exposition excessive à la chaleur, au sel, aux éclaboussures d'eau fraîche ou à l'immersion dans l'eau.

Aucune autre garantie express n'est accordée et il n'existe aucune garantie qui s'étendent au delà des conditions décrites par la présente. Cette garantie est la seule garantie valable et reconnue par le Garant, et prédomine sur d'autres garanties implicites, y compris les garanties implicites liées à la garantie de qualité marchande, à l'usage des objectifs habituels pour lesques de telles marchandises sont utilisées, ou no un usage pour un objectif particulier, ou toutes autres obligations de la part du Garant ou de ses employés et représentants.

Il ne doit pas exister de responsabilité ou autre de la part du Garant ou de ses employés et représentants, en ce qui concerne les blessures corporelles, ou les dommages de personne à personne, ou les dégâts sur une propriété, ou la perte de revenus ou de bénéfices, ou autres dommages collatéraux, pouvant être rapportés comme ayant survénus au cours de l'utilisation ou de la vente du matériel, y compris tous dysfonctionnements ou échecs du matériel, ou une partie de celui-ci. Le Garant n'assume aucune responsabilité concernant toutes sortes de dommages accidentels ou indirects.

Samlex America Inc. (le « Garant »)
www.samlexamerica.com

Les spécifications pourraient être sujettes aux modifications sans avis.

*** Basé sur le programme sélectionné - voir le tableau 6.3**

MODÈLE EVO-30A	
ENTREE	TENSION EN CIRCUIT OUVERT MAX. (VCC) DU GÉNÉRATEUR / PANNEAU SOLAIRE 50V
	COURANT DE COURT CIRCUIT MAX. (I _{CC}) OF SOLAR PANEL / ARRAYS 30A
	COURANT D'AUTO-CONSOMMATION TOTAL 50 mA
SORTIE / CHARGEMENT	Série, la Modulation de la Largeurs d'Impulsions (MLI)
	TENSION DE SYSTÈME DE BATTERIE NOMINALE BATTERY 12V / 24V (Sélectionné par interrupteur)
	TENSION DE BATTERIE MIN.POUR DÉMARRER LE MICRO-CONTRÔLEUR, ACTIVER LES PROTECTIONS ET LE FONCTIONNEMENT PROPRE 9 VCC pour une Batterie de 24V 18 VCC pour une Batterie de 24V
	TYPE DE BATTERIES Au Plomb-Acide; Inondé/AGM/Cellules Gélées; Lithium
	ALGORITHME DE CHARGEMENT 4 Étapes: Masse, Absorption, Maintien, Égalisation
	PROGRAMMES DE CHARGEMENT 8 Programmes (Sélectionné par interrupteur)
	TENSION D'ABSORPTION* 14,0V à 14,8V
	TENSION DE MAINTIEN* 13,4V / 13,5V
	14,2V to 15,3V
	TENSION D'ÉGALISATION* 1 à 3 hrs* Manuel ou automatique après un intervalle de 28 jours*
	PRÉCISION DU POINT DE RÉGLAGE DE LA TENSION ± 50mV
	Avec capteur de température: -30 mV / °C pour une batterie de 12V (30-AB-TS EN OPTION) -60 mV / °C pour une batterie de 24V
	COMPENSATION THERMIQUE (30-AB-TS EN OPTION) - Plage de Compensation: 0°C à 50°C
AFFICHAGE OPTIONNEL	EVO-RC-PLUS
	4 Lignes x 20 Caractère, Alpha Numeric Backlit Display for operational parameters and fault messaging.
PROTECTIONS	SURINTENSITÉ Fermeture si le courant d'entrée est > 45A
	SURCHAUFFE DU DISSIPATEUR Température > 90°C; Débrancher le panneau / générateur - Rébrancher quand refroidi à 70°C
ENVIRONNEMENTALE	PLAGE DE TEMPÉRATURE DE FONCTIONNEMENT -20°C à 50°C / -4°F à 112°F
	PLAGE DE TEMPÉRATURE DE STOCKAGE -55°C à 85°C / - 67°F à 185°F
	HUMIDITÉ 95%, Sans-condensation
MÉCANIQUE	DIMENSIONS (W X D X H) 122 X 105,5 X 47,6 mm / 4,81 x 4,15 x 1,87 po
	POIDS 4 kg / 0,8 lb
	PLAQUE FRONTALE Enduit de poudre d'acier. Pour une utilisation en intérieur
CONFORMITÉ	EMII / EMC FCC Partie 15 (B), Classe B
ACCESSOIRES FOURNIS	30A-B-TS (en option), 33 pi (110 m)
	COSSES À FOURCHE ISOLÉES POUR LES CONNEXIONS DE CÂBLAGE D'ENTRÉE / DE SORTIE 4 Pièces pour goujon #8 d'un câble AWG #10 à 12
	VIS AUTOTARAUDEUSES POUR L'INSTALLATION 7 x 19, 5/8 po; Type à Point 25; tête plate, cruciforme

7.2 Symptôme 1. La Batterie Ne Recharge Pas

1. Vérifiez le voyant d'état. Cela devrait être allumé si la batterie est connectée.
2. Vérifiez que l'algorithme de chargement de batterie soit correct (programme) et qu'il a été sélectionné en manipulant les interrupteurs DIP 2,3,4 (le Tableau 6.3.).
3. Vérifiez que tous les branchements du système soient bien effectués et serrés. Vérifiez la polarité des connexions (+ et -).
4. Mesurez la tension en circuit ouvert du système PV et confirmez si elle est dans les limites. Si la tension est basse ou nulle, inspectez les branchements du système PV. Débranchez le contrôleur lorsque vous travaillez sur le système PV.
5. Vérifiez que la charge ne tire pas trop de courant afin de ne pas excéder la capacité du système PV.
6. Vérifiez qu'il n'y a pas des chutes de tension excessives entre le contrôleur et la batterie. Cela provoquera une sous charge de la batterie.
7. Vérifiez l'état de la batterie. Déterminez si la tension de la batterie diminue pendant la nuit, quand il y a aucune charge. Si la batterie ne peut pas maintenir sa tension, elle est peut être défectueuse.
8. Mesurez la tension PV et de la batterie aux bornes du EVO-30AB. Si la tension aux bornes est pareille (à quelques dixièmes de volts près), le système PV recharge la batterie. Si la tension du système PV est proche de la tension en circuit ouvert des panneaux et la tension de la batterie est faible, le contrôleur ne recharge pas les batteries et pourrait être endommagé.

7.3 Symptôme 2. La tension de batterie est trop élevée

1. La DEL de Statut va clignoter (VERT) 5 fois.
2. Premièrement, vérifiez les conditions de fonctionnement afin de confirmer si la tension est supérieure aux spécifications.
3. Vérifiez que l'Algorithme de Chargement de Batterie (Programme) soit correct et qu'il a été sélectionnée à l'aide des interrupteurs DIP 2, 3, 4 (le Tableau 6.3).
4. Vérifiez que tous les branchements du système soient bien effectués et bien serrés.
5. Déconnectez le générateur PV et déconnectez momentanément le fil de raccordement positif de la BATTERIE de la borne BAT+. Rebranchez la borne de la batterie mais en laissant le générateur PV débranché. La DEL de Statut va continuer à clignoter (VERT) et la Tension de Batterie serait toujours affichée.
6. Inspecter la Tension en Circuit Ouvert du générateur PV. Elle devrait être conforme aux spécifications du générateur et ne devrait pas excéder 50V.
7. Quand le générateur est déconnecter, le contrôleur ne devrait pas affichés une tension pour les bornes PV+ and PV ne. With the PV array disconnected, there should be no voltage reading on the PV+ and PV- terminals. Si une tension des bornes PV+ and PV- est indiquée, et si elle est pareille que la tension de Batterie, le contrôleur est défectueux.

7.1 Indicateurs de défaut

Le dépannage du contrôleur EVO-30AB est simplifié grâce à l'utilisation de l'écran EVO-RC-PLUS en option. Quelques procédures de dépannages sont écrites ci-dessous.

EVO-RC-PLUS (En option)	LED DE DÉFAUT EVO-30AB	DESCRIPTION	CAUSE DU DÉFAUT / REMÈDE
iiOver Current	Rouge continu	Surintensité	Courant d'entrée dépasse 150 % du courant nominal de 30A 45A, c.-à-d.
iiOver Temperature	Rouge clignotant	Surchauffe du dissipateur	Température excède 90°C Réarmement automatique en dessous de 70°C
L'affichage est tamisé ou éteint	Off ou Rouge fixe	Erreur d'affichage	1. La CPU n'est pas en mesure d'échanger des données avec le panneau d'affichage. 2. La tension de la batterie est inférieure à $7V \pm 0,2V$
iiBatt Low Voltage	Rouge continu	Faible Tension	1. Faible Tension de Batterie:: > 9V pour une Batterie de 12V > 18V pour une Batterie de 24V 2. Si le système se manifeste pour le Système de Batterie de 12V, vérifiez que l'interrupteur DIP 1 au dos de l'unité est sélectionné pour une batterie de 12V et pas pour une de 24V.
Heat Sink SR Open	Rouge continu	Température de Fonctionnement	La température de fonctionnement est inférieure à -20 °C (-4 °F). Augmentez la température de fonctionnement au-dessus de -20 °C (-4 °F) pour effacer l'alarme.
iiBatt Over Voltage	Rouge continu	Sur tension de la batterie	La tension de la batterie est élevée : Système 12V : < 17V Système 24V : < 34V Réinitialisation automatique en dessous de 16,2 V ou 13,4 V 1. Vérifiez que le DIP SWITCH est correctement réglé. 2. Déconnectez les autres chargeurs de la batterie. 3. Si le problème persiste, contactez Sam-lex America pour obtenir de l'aide.
iiBSE Bat Sense Error	Rouge continu	Panne du capteur de température de la batterie	Le capteur de température de la batterie est en panne. 1. Débranchez le capteur de température pour nettoyer l'alarme. 2. Remplacer le capteur de température dès que possible (article 30AB-TS)

Tableau 7.1. Indications de panne et remèdes

SECTION 6 | INSTALLATION ET CONFIGURATION

6.3 EVO-30AB avec convertisseur / chargeur EVO™ (pas de EVO-RC-PLUS)

Lorsque l'EVO-30AB est installé avec un onduleur/chargeur EVO™ sans l'EVO-RC-PLUS, l'EVO-30AB fonctionnera uniquement en fonction des paramètres du commutateur DIP. L'onduleur/chargeur gèrera son courant de charge en fonction du courant de sortie de l'EVO-30AB, comme décrit dans le manuel EVO™ (section 5.4).

1. Installez et allumez l'onduleur / chargeur EVO™ conformément au manuel EVO™.
2. Réglez le commutateur * DIP sur l'EVO-30AB. Les paramètres sont fournis sur l'appareil ou se trouvent dans la section 4.
3. Installez l'EVO-30AB comme décrit dans les sections 6.1 à 6.3 de ce manuel, mais en effectuant la connexion de la batterie à la « connexion du chargeur CC externe sur l'onduleur / chargeur EVO™ ».

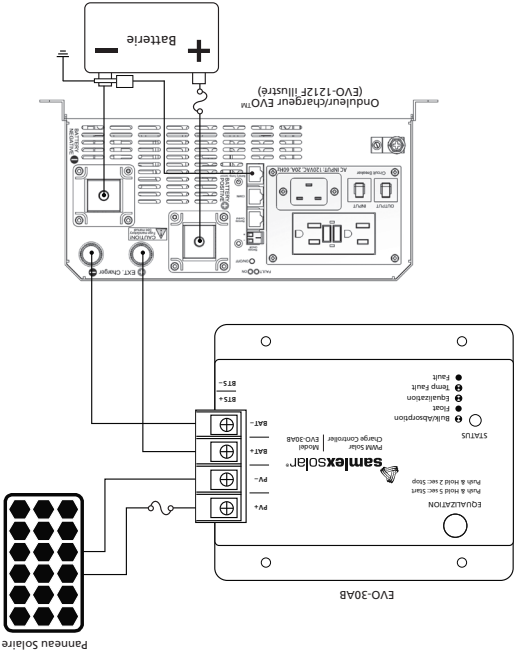


Fig 6.5 EVO-30AB avec onduleur/chargeur EVO™

SECTION 6 | INSTALLATION ET CONFIGURATION

6.2 EVO-30AB avec onduleur / chargeur EVO™ et EVO-RC-PLUS

L'installation du contrôleur de charge EVO-30AB, d'un EVO-RC-PLUS et d'un onduleur / chargeur EVO™ rend votre système d'alimentation complet gérable à partir d'un seul appareil de surveillance. L'EVO-RC-PLUS affichera les alarmes et l'état de l'EVO-30AB et de l'onduleur/chargeur EVO™.

1. Installez et allumez l'onduleur / chargeur EVO™ conformément au manuel EVO™.
2. Réglez le commutateur * DIP sur l'EVO-30AB. Les paramètres sont fournis sur l'appareil ou se trouvent dans la section 4.
3. Installez l'EVO-30AB comme décrit dans les sections 6.1 à 6.3 de ce manuel, mais en effectuant la connexion de la batterie à la «connexion du chargeur CC externe sur l'onduleur / chargeur EVO™». Voir la figure 6.4 ci-dessous.
4. Installez l'EVO-RC-PLUS conformément au manuel EVO-RC-PLUS.
5. Connectez le câble de communication entre l'onduleur / chargeur EVO™ et l'EVO-30AB comme le montre la figure 6.4 ci-dessous.
6. Connectez le câble de communication entre le contrôleur de charge et l'EVO-RC-PLUS comme le montre la figure 6.4 ci-dessous.

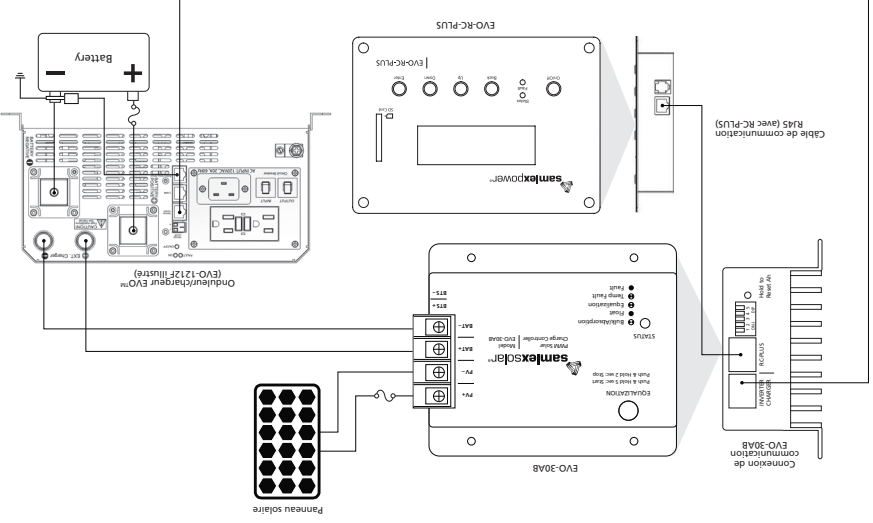


Fig.6.4 Schéma de câblage de l'onduleur/chargeur EVO-30AB avec EVO-RC-PLUS et EVO™

SECTION 6 | INSTALLATION ET CONFIGURATION

6.6 Connexions et configuration avec les produits EVO™

Reportez-vous à la section 4 pour une description des fonctionnalités et des avantages lors de l'utilisation de l'EVO-30AB dans les configurations suivantes.

- Avec **affichage à distance**
- Avec un **onduleur / chargeur EVO™ et un écran à distance**
- Avec un **onduleur / chargeur EVO™ et sans écran**

6.6.1 Affichage à distance - EVO-RC-PLUS (En option)

1. Réglez le commutateur DIP sur l'EVO-30AB. Les paramètres sont fournis sur l'appareil ou se trouvent dans la section 4.
2. Installez l'EVO-30AB comme décrit dans les sections 6.1 à 6.3 de ce manuel.
3. Installez l'EVO-RC-PLUS conformément au manuel EVO-RC-PLUS.
4. Connectez le câble de communication entre le contrôleur de charge et l'EVO-RC-PLUS comme indiqué dans la figure 6.3.

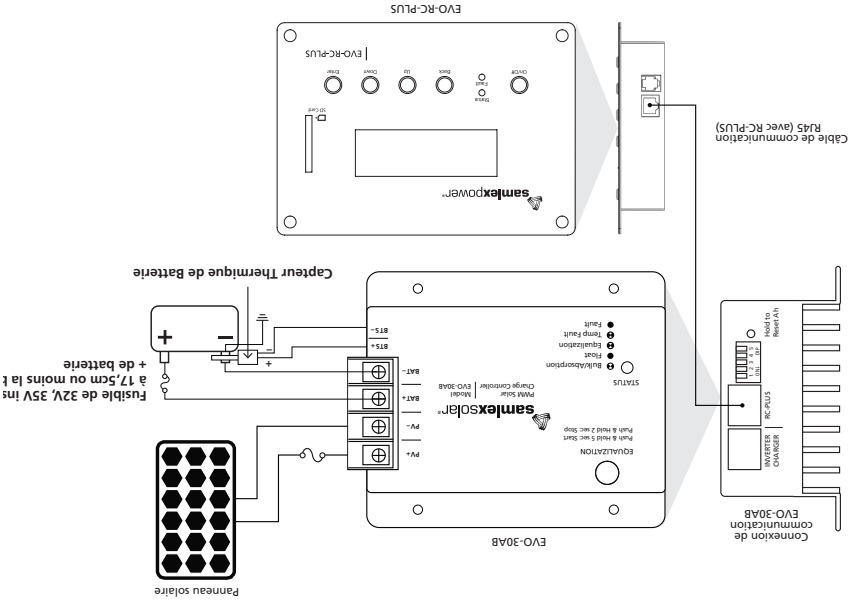


Fig. 6.3 Schéma de câblage EVO-30AB avec EVO-RC-PLUS

Tableau 6.4. Compensation de température des réglages de tension

BATTERY ELECTROLYTE TEMPERATURE	12V BATTERY VOLTAGE COMPENSATION	24V BATTERY
50°C / 122°F	- 0,75V	-1,50V
45°C / 113°F	- 0,60V	- 1,20V
40°C / 104°F	- 0,45V	- 0,90V
35°C / 95°F	- 0,30V	- 0,60V
30°C / 86°F	- 0,15V	- 0,30V
25°C / 77°F (Référence)	0V (Référence)	0V (Référence)
20°C / 68°F	+ 0,15V	+ 0,30V
15°C / 59°F	+ 0,30V	+ 0,60V
10°C / 50°F	+ 0,45V	+ 0,90V
5°C / 41°F	+ 0,60V	+ 1,20V
0°C / 32°F	+ 0,75V	+ 1,50V

La compensation typique est indiquée ci-dessous dans le Tableau 6.4:

- Batterie de 12 volt : -0,030 volts par °C (-0,017 volts par °F).
- Batterie de 24 volt : -0,060 volts par °C (-0,033 volts par °F).

Le Capteur Thermique de Batterie (CTB) corrige les tensions des modes Absorption, Égalisation, et Maintien par les valeurs suivantes (température de référence de 25°C / 77°F) :

Il est recommandé d'utiliser le capteur de température de batterie (BTS) si la température de la batterie (mesurée au niveau de la borne +) fluctue de plus de 5 °C à 10 °C (9 °F à 18 °F) par rapport à la température de référence de 25 °C (77 °F).

Le BTS se compose d'une sonde de détection de température installée sur la borne négative (-) de la batterie (Fig. 6.2). La température de la borne de batterie reflète la température approximative de l'électrolyte. Une paire de fils de 10 mètres (marqués + et -) connecte la sonde de détection de température aux 2 bornes marquées (+) BTS et (-) BTS.

Le câblage du Capteur Thermique de Batterie est polarisé, donc il est marqué (+) and (-). Veuillez respecter la polarité quand vous branchez les câbles aux bornes BTS+ and BTS-.

ATTENTION!



Les profils 7 et 8 pour le lithium ont cette fonction désactivée, mais le capteur peut toujours être utilisé pour surveiller la température.

SECTION 6 | INSTALLATION ET CONFIGURATION

6.4 Opération d'égalisation

Lorsque l'égalisation est activée, les indications suivantes s'affichent sur l'unité EVO-30AB :

- Le voyant d'état clignote en orange, une fois par seconde
- Quand la batterie est surchargée et sa tension augmente jusqu'au point de réglage de Tension d'Égalisation, et puis est soutenue à ce niveau pour la période du programme, le contrôleur va retourner à l'Étape de Maintenance – DEL de statut serait Vert.

AVIS: Si le courant de chargement ne suffit pas pour augmenter la Tension de batterie jusqu'au point de réglage de Tension d'Égalisation et pour la soutenir pour la durée du programme, l'égalisation serait retardé pour un jour ou plusieurs jours tant que la période du programme est achevée. Cependant, l'égalisation peut être terminée manuellement et réinitialiser quand il assez de lumière solaire. Aussi, veuillez enlever toutes les charges sur la batterie afin d'assurer que le courant entier du panneau est disponible pour compléter l'égalisation dans une session.

MISE EN GARDE



Paramètres des commutateurs DIP pour les communications échouées
 Le commutateur DIP du contrôleur de charge EVO-30AB doit être programmé au cas où le câble de communication serait déconnecté de l'onduleur/chargeur EVO™, EVO-30AB reviendra aux paramètres du commutateur DIP si cela se produit.

6.4.1 L'Égalisation Manuelle

Avec le commutateur DIP 5 (Fig 5.1) est réglé pour l'égalisation manuelle (position OFF) et un profil de charge est sélectionné avec Equilize Voltage (Table 6.3). Le bouton poussoir marqué « Egalisation » (Fig 5.1) est utilisé pour démarrer et arrêter un cycle de charge d'égalisation manuelle. **Appuyez sur le bouton pendant 5 secondes pour le démarrer et pendant 2 secondes pour interromper l'égalisation.**

Les égalisations seront achevées automatiquement par le programme de chargement sélectionné, si le commutateur n'est pas utilisé pour arrêter manuellement l'égalisation.

6.4.2 L'Égalisation Automatique

Si l'interrupteur DIP 5 d'égalisation est dans la position ALLUMÉ (la Fig 5.2), les égalisations débuteront automatiquement en fonction du programme de chargement sélectionné (Tableau 6.3). Le commutateur peut être utilisé pour démarrer et arrêter une égalisation en mode automatique et manuel.

6.5 Fonctionnement de la compensation de température

Capteur en option : nom du modèle 30AB-T5

Un capteur de température de batterie (BT5) en option est disponible pour le chargement de la batterie à compensation de température pour les profils 1 à 6.

SECTION 6 | INSTALLATION ET CONFIGURATION

AVIS:

1. Toutes les valeurs indiquées sont pour une température de Toutes les valeurs de Tension sont à une température de 25°C (77°F) 25°C (77°F).
2. Toutes les tensions dans le Tableau sont pour des systèmes de 12 V. Pour des systèmes de 24 V, multipliez les tensions par 2.

	A	B	C	D	E	F
Interrupteurs DIP (2-3-4)	Type de Batterie	Tension d'Absorption	Tension de Maintien	Tension d'Égalisation	Durée d'Égalisation (heures)	Intervalle d'Égalisation (jours)
FERME-FERME-FERME (Par-Défaut)	1 - Étanche		Tension d'Égalisation	Durée d'Égalisation	-	-
FERME-FERME-ALLUME	2 - Étanche	(heures)	Intervalle	14,2	1	28
FERME-ALLUME-FERME	3 - Étanche (jours)	13,4	13,4	14,4	2	28
FERME-ALLUME-ALLUME	4 - Inondée	14,4	13,4	15,1	3	28
ALLUME-FERME-FERME	5 - Inondée	14,6	13,4	15,3	3	28
ALLUME-FERME-ALLUME	6 - Inondée	14,8	13,4	15,3	3	28
ALLUME-ALLUME-FERME	7 - Lithium	14,3	13,4	Aucune	-	-
ALLUME-ALLUME-ALLUME	8 - Lithium	14,4	13,5	Aucune	-	-

Tableau 6.3 Programmes de charge de batterie standard

A. Type de Batterie

Ces batteries sont génériques, de type plomb acide – cellules mouillées (Plomb Antimoine, Plomb Calcium), étanche AGM, étanche à cellules gelées et Lithium.

B. Tension d'Absorption

Ceci est le point de réglage de la Tension d'Absorption.

C. Tension de Maintien

Ceci est le point de réglage de la Tension de Maintien.

D. Tension d'Égalisation

Ceci est le point de réglage de la Tension d'Égalisation.

E. Durée d'Égalisation

Le chargement continuera à la Tension d'Égalisation sélectionnée pour cette durée de temps.

F. Intervalle d'Égalisation

Si l'égalisation automatique est activée (avec DIP Switch 5). Normalement, des égalisations sont faites chaque mois. La plupart des cycles durent 28 jours, de manière à ce que l'égalisation démarre le même jour de chaque mois. Chaque nouveau cycle serait réinitialiser lorsque l'égalisation démarre, afin que le réglage soit effectuée au jour pareil.

SECTION 6 | INSTALLATION ET CONFIGURATION

Une batterie intérieure à 9V pour une batterie 12V ou 18V pour une batterie 24V peut ne pas démarrer correctement le microcontrôleur. Assurez-vous que la batterie est chargée avant l'installation le système.

Dès que la batterie (+) est connectée, la LED d'état (2, Fig 5.1) sera orange fixe, puis la LED clignotera en vert.

5. Connectez ensuite le panneau solaire / la baie. Il est recommandé que le positif du panneau PV / tableau soit acheminé via un disjoncteur CC ou un interrupteur de déconnexion CC (évalué à ≥ 50 VDC et capacité de courant = 1,56 fois le courant de court-circuit «Isc» du panneau solaire / baie).

N'oubliez pas que le panneau solaire / baie produira de l'énergie chaque fois qu'il sera exposé au soleil. Veillez à ne pas court-circuiter le panneau solaire / baie lorsqu'il est connecté au contrôleur, car cela endommagerait le contrôleur.

6. Le conducteur du système négatif de la batterie doit être correctement mis à la terre, comme l'exige le code.

6.3.1 Réglages des interrupteurs DIP

Il y a cinq interrupteurs DIP permettant de modifier les paramètres du contrôleur:

Nom	DESCRIPTION
Interrupteur DIP 1	ALLUMÉ* Sélection de la Tension de Batterie pour le système de 12V
DIP 1	FERMÉ Sélection de la Tension de Batterie pour le système de 24V
Interrupteur DIP 2, 3, 4	Mode de contrôle de charge: algorithme de chargement de batterie (Voir le Tableau 6.1)
Interrupteur DIP 5	ALLUMÉ Sélection d'Égalisation Automatique
DIP 5	FERMÉ* Sélection d'Égalisation Manuelle

* Réglages par Défaut

Tableau 6.2. Paramètres des commutateurs DIP

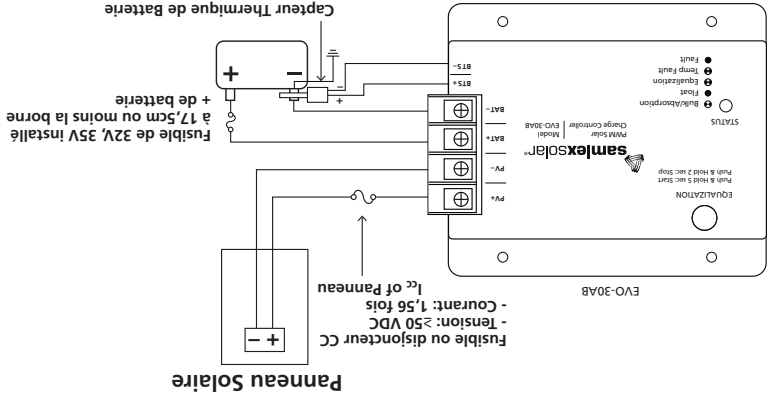
Programmes de Chargement de Batterie Standards

Le EVO-30AB a 8 algorithmes de chargement de batterie standards (programmes) qui peuvent être sélectionnés grâce aux interrupteurs DIP 2,3,4.

Le Tableau 6.3. ci-dessous présente les paramètres principaux des algorithmes de chargement standards. Remarquez que toutes les tensions sont pour des systèmes de 12 V. *Pour des systèmes de 24 V, multipliez les tensions par 2.*

- Consultez les spécifications du fabricant et/ou de la batterie et sélectionnez l'algorithme appropriée.
- L'unité est pré-réglée pour la batterie de Type 1 (Arrêt-Arrêt-Arrêt) : batterie étanche / VRLA.
- Vérifiez la tension recommandée par le fabricant de la batterie et définissez les paramètres des commutateurs DIP les plus proches de ces valeurs.

6.3 Connexions et configuration



La Fig. 6.2 Schéma de câblage EVO-30AB

1. Les connexions aux bornes EVO-30AB sont illustrées sur le schéma de la Fig. 6.2. Un boîtier de type batterie a été fourni pour connecter le générateur photovoltaïque et la batterie. Des vis M-4 avec rondelles de serrage sont utilisées pour réaliser la connexion. Utilisez un tournevis plat ou un tournevis cruciforme n° 2 pour serrer les vis. Serrez chaque vis à 20 pouces-livres de couple. La distance entre les barrières est de 9 mm et une cosse standard de type bêche destinée au goujon n° 8 et au fil AWG n° 10 - AWG n° 12 peut être utilisée à l'extrémité des fils à connecter à ces bornes. 4 coses avec goujon # 8 et câble # 10-12 Awg fournis ainsi que 4 coses avec goujon # 8 et câble # 8 Awg sont fournis.
2. Réglez le commutateur DIP 1 pour le système de tension, réglez les commutateurs DIP 2, 3, 4 pour le type de batterie et l'algorithme de charge (voir Tableau 6.2 et 6.3).
3. Fusionnez le fil positif de la batterie (non fourni) : utilisez un fusible 32 V, 35 A en série avec le fil positif de la batterie. Localisez le fusible à moins de 7" de la borne positive de la batterie.
4. Connectez d'abord la BATTERIE. Veillez à ce que les fils nus ne touchent pas le boîtier métallique du contrôleur. Connectez d'abord le négatif de la batterie, puis le positif de la batterie.



MISE EN GARDE

La BATTERIE doit être connectée avant le panneau solaire / baie pour démarrer correctement le microcontrôleur, activer les protections et guider l'installation.

- La distance de course est la distance réelle en tenant compte de l'itinéraire complet du circuit suivi par les fils pour l'installation. La longueur des câbles positifs et négatifs. Si le câble rouge est de 5' et le noir est de 7', la distance de course est de 12'.
- Le courant est le courant de court-circuit total Isc du panneau/réseau solaire. Le courant continu maximum autorisé est de 30A.
- Si la distance de fonctionnement réelle ne correspond pas à la distance indiquée, sélectionnez la taille de fil pour la distance supérieure suivante. Par exemple, si Isc est de 15 A et la distance de fonctionnement est de 12 pieds, utilisez AWG # 10.
- EVO-30AB empêche les fuites de courant inverse la nuit via un commutateur MOSFET interne, de sorte qu'une diode de blocage externe n'est pas requise dans le système.

AVIS:

Tableau 6.1 : Taille de fil recommandée

Courant, A	Distance parcouru (pieds): Contrôleur au Panneau Solaire ou Contrôleur à la Batterie					
	#12	#10	#8	#6	#4	#2
Jusqu'à 10	15	30	40	80	120	130
11A à 20A	10	15	20	40	60	100
21A à 30A	-	10	15	25	40	60

Le câblage doit être dimensionné comme recommandé dans le tableau ci-dessous:

Panneau solaire au contrôleur et contrôleur à la batterie**6.1 Dimensionnement des fils**

- Le contrôleur de charge solaire ne doit être connecté à la batterie que par du personnel qualifié et conformément à la réglementation en vigueur.
- Suivez les instructions d'installation et d'utilisation de tous les composants de l'installation photovoltaïque.
- Assurez-vous qu'aucun câble n'est endommagé.

MISE EN GARDE

- ASSUREZ-VOUS les fils + et - de la batterie sont correctement connectés avant de continuer.
- Les dommages dus à une connexion inversée de la batterie ne sont pas couverts par la garantie !
- Lors de la connexion de la batterie, connectez d'abord le négatif de la batterie, puis le positif de la batterie. Lorsque vous déconnectez la batterie, déconnectez d'abord le positif de la batterie, puis le négatif de la batterie.

MISE EN GARDE

Cette section fournit des instructions sur l'installation et la configuration du contrôleur de charge EVO-30AB.

Écrans opérationnels

Menu des paramètres d'affichage EVO-RC-PLUS

Appuyez sur **ENTER** à partir de n'importe quel écran opérationnel pour passer au menu des paramètres

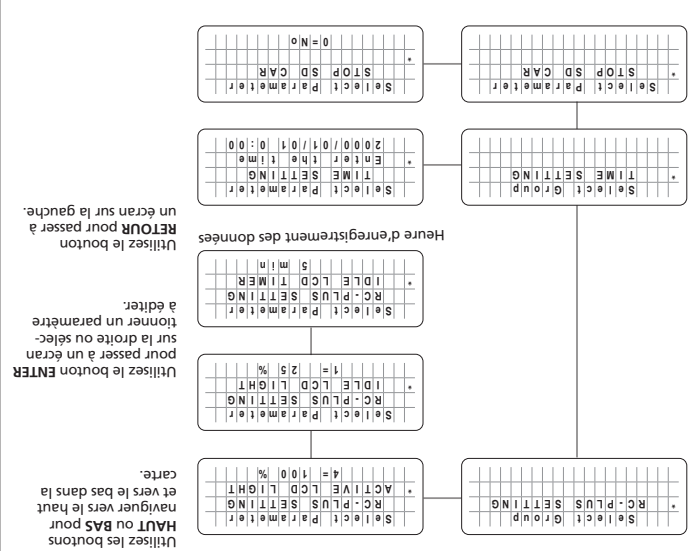
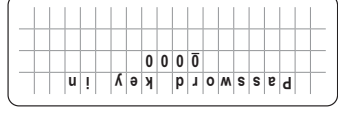


Figure 5.4 : Carte des menus EVO-RC-PLUS et EVO-30AB

Pour modifier et enregistrer le paramètre :

- Pour changer de cellule : Utilisez les boutons UP / DOWN
- Pour passer à la cellule suivante : appuyez momentanément sur **ENTRÉE**
- Pour enregistrer le paramètre : Appuyez et maintenez enfoncée la touche **ENTER** pendant 3 à 5 secondes jusqu'à ce que l'appareil affiche « WRITE SUCCESS ! »

Exemple de saisie de valeurs



Fonction : Entrez le mot de passe

Pour saisir le mot de passe **8052**

Notez que le curseur se trouve déjà sur le premier chiffre.

1. Touche haut x 8 jusqu'à ce que la valeur 8 s'affiche.
2. Appuyez sur **ENTRÉE** x2
3. Touche haut x5 jusqu'à ce que la valeur 5 s'affiche
4. Appuyez sur **ENTRÉE**
5. Touche haut x2 jusqu'à ce que la valeur 2 s'affiche
6. Appuyez et maintenez **ENTER** pendant 3 à 5 secondes

ÉCRIVEZ LE SUCCÈS !

SECTION 5 | CONSTRUCTION, AMÉNAGEMENT & CONTRÔLE

Paramètres d'affichage

Les paramètres d'affichage suivants peuvent être définis à l'aide de l'EVO-RC-PLUS.

<p>LUMIÈRE LCD ACTIVE</p> <p>Sélection Paramètre RC-PLUS SETTING * ACTIVE LCD LIGHT 4 = 100 %</p> <p>Definit la luminosité de l'affichage lorsque les boutons de la télécommande sont utilisés. Reportez-vous à la section 4.9 du manuel EVO-RC-PLUS.</p>	<p>VOYANT ACL RALENTI</p> <p>Sélection Paramètre RC-PLUS SETTING * IDLE LCD LIGHT 1 = 25 %</p> <p>Definit la luminosité de l'affichage lorsque l'appareil est laissé inactif. Reportez-vous à la section 4.9 du manuel EVO-RC-PLUS.</p>
<p>PARAMÈTRES DE TEMPS</p> <p>Sélection Paramètre TIME SETTING * Enter the time 2000/01/01 0:00</p> <p>Definit l'heure et la date de l'unité. Utilisez pour l'horodatage du journal des données. Reportez-vous à la section 4.10 du manuel EVO-RC-PLUS.</p>	<p>ARRÊTER LA CARTE SD</p> <p>Sélection Paramètre STOP SD CAR * 0 = No</p> <p>Arrêtez la carte SD avant de la retirer de la télécommande. L'appareil reviendra automatiquement au fonctionnement normal après une minute. Reportez-vous à la section 4.11 du manuel EVO-RC-PLUS.</p>

Tableau 5.4 : Paramètres de l'écran LCD

To access the parameters menu, from any of the Operational Screen, press **ENTER**. Si seul l'EVO-30AB est connecté à l'EVO-RC-PLUS, la carte des menus illustrée à la Figure 5.4 s'applique.

Si un autre équipement est connecté à l'EVO-RC-PLUS (tel qu'un onduleur/chargeur), veuillez vous reporter à la section 4.2.2 du manuel de l'EVO-RC-PLUS pour plus de détails.

SECTION 5 | CONSTRUCTION, AMÉNAGEMENT & CONTRÔLE

Ecrans opérationnels

- Avec un onduleur/chargeur EVO™ installé : Appuyez sur la touche Retour pour voir l'écran EVO-30AB.
- Sans onduleur/chargeur EVO™ installé : L'écran EVO-30AB s'affiche automatiquement.

Appuyez sur les touches HAUT/BAS pour naviguer entre les écrans.

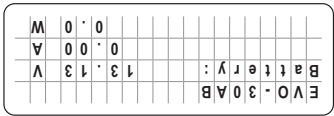
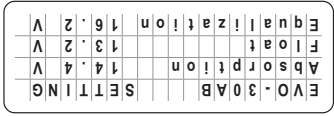
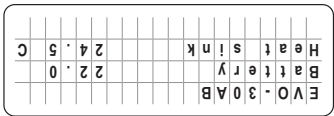
<p>Affiche la tension de la batterie, le courant du chargeur.</p> 	<p>Float : Cette ligne affiche l'étape de charge en cours : <i>Bulk, Absorption, Equalize</i> ou <i>Float</i>, ou affiche le message d'alarme s'il est présent. <i>Charger</i> Off s'affiche si la puissance du panneau solaire est insuffisante pour charger les batteries.</p> <p>Ampères-heures : Affiche l'AH délivré en fonction du courant de sortie du contrôleur de charge. Ce compteur peut être réinitialisé à l'aide du bouton-poussoir marqué « Réinitialiser les ampères-heures » (appuyez et maintenez le bouton-poussoir enfoncé jusqu'à ce que le compteur se réinitialise à 0).</p> <p>Ah total : compte le nombre total d'ampères-heures de fonctionnement (ampères-heures) d'énergie (en Ah) délivrée par le panneau solaire dans les batteries.</p>	<p>Affiche les points de consigne d'absorption, de maintien et d'égalisation de la tension.</p> 	<p>Affiche la batterie et le dissipateur de chaleur</p> <p>Température.</p> 
---	--	---	---

Tableau 5.3 : Ecrans opérationnels

5.3 Fonctionnement de l'affichage à distance EVO-RC-PLUS

La télécommande EVO-RC-Plus affichera les paramètres et l'état actuel de l'EVO-30AB. Il prend également en charge d'autres appareils EVO connectés sur le bus tels que l'onduleur/chargeur EVO.

Les fonctions fournies par l'EVO-RC-Plus lorsqu'il est connecté à l'EVO-30AB sont décrites ci-dessous.

Pour une description complète de l'EVO-RC-Plus et du fonctionnement avec un onduleur/chargeur EVO, reportez-vous au manuel EVO-RC-Plus. L'installation de la télécommande peut être trouvée dans la section 1 du manuel EVO-RC-Plus.

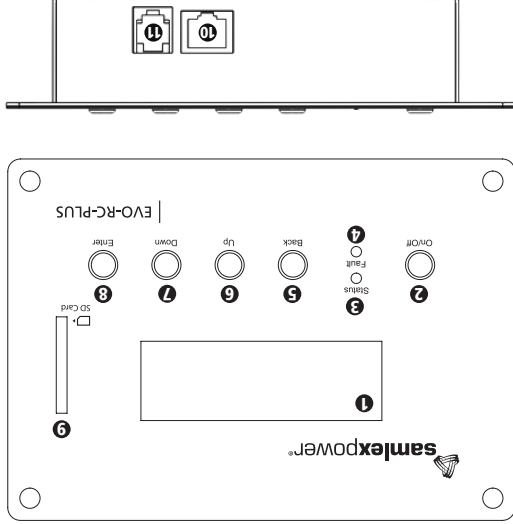


Figure 5.2 Disposition de l'EVO-RC-PLUS

5.3.1 Naviguer dans la télécommande

Écran LCD (1) - Cet écran affiche l'état et les informations des appareils EVO™. Tous les menus de configuration et les défauts apparaissent également sur l'écran LCD.

Le niveau de luminosité / gradation du rétroéclairage LCD peut être programmé en fonction des préférences de l'utilisateur.

Touche Marche/Arrêt (2) - Ce bouton n'a aucune fonction pour l'EVO-30AB. La touche Marche/Arrêt est utilisée pour allumer et éteindre l'onduleur/chargeur EVO™. Voir le manuel EVO-RC-Plus pour plus de détails.

5.2 Commandes et indicateurs

Une seule LED tricolore (VERT, ROUGE, ORANGE) marquée « Status » (Fig 5.1) est utilisée pour indiquer les étapes de charge et les défauts, comme indiqué ci-dessous dans le Tableau 5.1.

LED Marked "Status" (2, Fig 5.1)	Charging Stage or Fault Condition	12V Battery	24V Battery
1 Clignote (Vert)	Masse	< 0,75V en-dessous du réglage d'Absorption	> 1,5V en-dessous du réglage d'Absorption
2 Clignotes (Vert)	Masse	0,75V en-dessous du réglage d'Absorption	1,5V en-dessous du réglage d'Absorption
3 Clignotes (Vert)	Masse	0,50V en-dessous du réglage d'Absorption	1,0V en-dessous du réglage d'Absorption
4 Clignotes (Vert)	Masse	0,25V en-dessous du réglage d'Absorption	0,5V en-dessous du réglage d'Absorption
5 Clignotes (Vert)	Absorption	Au réglage de Tension en mode d'Absorption	Au réglage de Tension en mode d'Absorption
Vert continu	Entretien	Au réglage de Tension en mode d'Entretien	Au réglage de Tension en mode d'Entretien
Clignotant (Orange)	Égalisation	A l'Étape d'Égalisation	A l'Étape d'Égalisation
Rouge continu	Condition De Défaut	Batterie faible < 9V Surtension de la batterie > 17V Température de Fonctionnement est > -20°C	Batterie faible < 18V Surtension de la batterie > 34V Température de Fonctionnement est < -20°C
Clignotement (Rouge)	Condition de défaut de surchauffe	Température du dissipateur de chaleur > 90°C	Température du dissipateur de chaleur >90°C

Tableau 5.1. Affichage LED pour les étapes de charge et les défauts

L'EVO-30AB dispose des commandes suivantes pour gérer les fonctions de l'unité tout en fonctionnant comme un contrôleur de charge autonome.

BOUTTONS	ACTION
Réinitialiser AH	Appuyez et maintenez enfoncé pour mettre à zéro les ampères-heures sur l'affichage EVO-RC-PLUS en option.
Égalisation Start/Stop	Lorsque le commutateur DIP 5 est réglé sur OFF, maintenez le bouton d'égalisation enfoncé pendant 5 secondes pour démarrer manuellement l'égalisation. Appuyez dessus pendant 2 secondes pour arrêter l'égalisation.
Commutateur DIP 1-5	Ces petits interrupteurs sont utilisés pour configurer les paramètres de tension et de charge de l'unité. Les réglages sont imprimés sur les côtés de l'appareil comme illustré à la Fig. 5.1.

Tableau 5.2. Description des boutons-poussoirs et des commutateurs

SECTION 4 | CARACTÉRISTIQUES ET FONCTIONNEMENT

Tous les points de réglages de tension de chargement sont normalement spécifiés à 25°C / 77°F. Dans un système PV, les températures de batterie varient de jusqu'à 15°C du point de référence de 25°C. Les Tensions d'Absorption, Maintien & Égalisation devrait être ajusté, ou un contrôleur avec un Capteur Thermique doit être utilisé. Le Tableau ci-dessous montre les exemples des réglages pour la tension d'absorption de 14,4V par exemple pour une batterie de 12V (basé sur un Coefficient de Tension du Changement de Température de -5 mV / °C / Cellule ou de -30mV / 0,3V) pour une batterie à 6 cellules, de 12V).

Si la compensation de température n'est pas fournie, la batterie chaude à 40°C va commencer à réchauffer et dégager à 13,95V et va continuer à surcharger jusqu'à le point de réglage de tension d'absorption non-compensée est atteint (14,4V). Aux températures plus froide, la batterie de 10°C va subir une sous-charge résulteront dans la sulfatation.

Le contrôleur est doté d'une compensation de température à l'aide d'un capteur de température en option (Modèle 30AB-T5). Ce capteur de température doit être connecté aux bornes marquées BT5+ et BT5- (Fig 5.1).

Il est recommandé d'utiliser le capteur de température ci-dessus si la température de l'électrolyte de la batterie varie de plus de 5 °C à 10 °C (9 °F à 18 °F) par rapport à la température de référence de 25 °C (77 °F).

4.3 Chargement de la batterie au lithium

Les paramètres suivants concernent les batteries au lithium conçues pour le remplacement des batteries plomb-acide.

COMMUNICATEUR DIP-3-4V	TENSION D'ABSORPTION	TENSION FLOTTANTE	TENSION D'ÉGALISATION	TEMPS D'ÉGALISATION	INTERVALLE D'ÉGALISATION
ON-ON-OFF	14.3V	13.4V	Profil pour le lithium		
ON-ON-ON	14.4V	13.5V	Profil pour le lithium		

Tableau 4.1. Paramètres de profil de batterie au lithium pour un système 12 V

Les profils fonctionnent de la même manière que les profils plomb-acide avec les exceptions suivantes:

- La compensation de température est désactivée
- Le temps d'absorption est de 30 min au lieu de 1 heure
- La réinitialisation au mode de charge Bulk se produit à 13,0 V pour un système 12 V ou à 26 V pour un système 24 V
- Les fonctions d'égalisation sont désactivées

- il devrait avoir une pleine exposition à la lumière solaire pour un jour (aucune ombre ni nuages)

Étape - 3: Étape de Maintenance. Le contrôleur entre cet étape de l'étape d'égalisation précédent au point « D1 » après que la tension de batterie est gardée au point de réglage de tension d'absorption « Ve » pour une période continue ou cumulée d'1 / 2 / 3 Hr. Pendant cet étape (Portion de Courbe « D1 » à « E1 »), l'interrupteur fonctionne par le contrôle MLI en alimentant un courant de court-circuit pulsée « Icc » avec un Cycle de Service très bas de 0% à > 10% pour garder la tension de batterie constante au Point de Réglage de Tension De Maintenance « Vf » Pendant cet étape , la batterie est chargée et exige un très bas charge d'entretien 0.1% de la Capacité Ah afin de récompenser la batterie pour sa auto-consommation. La batterie peut rester dans cet étape pour une période prolongée.

REMARQUE: Pendant l'étape de Maintenance, si le courant de charge est plus grand que le courant du panneau solaire, la tension de batterie va baisser. Si la tension de batterie baisse jusqu'à environ 1V en-dessous du point de réglage de tension de maintien « Vf continu pour environ 1 hour, le contrôleur retourne à l'étape de Masse.

L'égalisation Manuelle

Une égalisation manuelle peut être sélectionnée à l'aide de l'interrupteur DIP 5 qui est situé au dos de l'unité (La Fig 5.1).

Lorsque l'égalisation manuelle est sélectionnée, l'égalisation ne peut être démarrée et arrêtée manuellement qu'avec le bouton d'égalisation sur le panneau avant de l'unité (Fig 5.1).

- Pour ALLUMÉ: Appuyez et tenez le bouton d'égalisation pour 5 sec
- POUR FERMÉ: Appuyez et tenez le bouton d'égalisation pour 2 sec

Chaque fois que l'égalisation manuelle est lancée, le contrôleur démarre à partir de l'étape -1 Bulk Stage comme expliqué ci-dessus.

La Terminaison Prématurée de l'Étape d'Égalisation en Mode Manuel: Si l'unité est réglée pour le démarrage/arrêt manuel de l'étape d'égalisation (à l'aide du commutateur DIP n° 5) et que l'égalisation est allumée mais est éteinte avant la fin, le chargeur repasse en « étape en vrac » et subit un cycle de charge standard expliqué dans Section 4.2.2.

4.2.5 La Compensation de Température

La température de l'électrolyte de batterie affecte le taux des réactions chimiques dans les batteries et aussi le taux de diffusion et la résistance de l'électrolyte. Donc, les caractéristiques de chargement de la batterie vont varier selon la température. Ceci est presque linéaire et le coefficient de tension du chargement de température est normalement -3 mV à -5 mV / °C / Cellule. Veuillez noter que le coefficient de tension de changement de température est négatif, ce qui signifie que lorsque la température augmente, la tension de charge est réduite et lorsque la température diminue, la tension de charge augmente.

SECTION 4 | CARACTÉRISTIQUES ET FONCTIONNEMENT

est maintenue pendant une période minimale d'environ 50 à 55 s. Cette étape est chronométrée pour une période continue / cumulative de 1/2/3 heures en fonction du type de batterie programmée. Pendant la période d'égalisation (partie de courbe C1 à D1), la batterie est en condition de surcharge, dégage et bouillonne vigoureusement et l'électrolyte est agité, ce qui entraîne l'élimination de la stratification. De plus, les cellules les plus faibles sont portées à pleine charge (égalisées).

Dans cet étape, l'interrupteur fonction par le contrôle MLI en alimentant un courant de court-circuit pulsée « Icc » avec un Cycle de Service qui diminue constamment (> 100% et < 0%) / courant moyen pour garder la tension de batterie constante au Point de Réglage de Tension D'Absorption « Ve » (Portion de Courbe C1 à D1). Ceci est équivalent à la Tension de Chargement Constante. C'est une condition de surtension contrôlée intentionnelle pour la batterie pendant 1 / 2 / 3 Hrs.

Le passage au point de consigne de régulation de tension flottante suivant « Vf » n'est possible qu'après que la tension de la batterie est maintenue au point de consigne de régulation de tension d'égalisation sélectionnée « Ve » pour une période continue ou cumulée de 1/2/3 heures selon le type programmé de la batterie. Si « Ve » ne peut pas être maintenu de façon continue / cumulative pendant 1/2/3 heures, le chargeur ne sortira PAS de l'étape d'égalisation et la transition vers l'étape flottante n'aura PAS lieu.

Egalisation Automatique
L'égalisation automatique après un intervalle de 28 jours ou l'égalisation manuelle peut être sélectionnée à l'aide du commutateur DIP 5 situé à l'arrière de l'unité (Fig 5.2). Veuillez vous référer à la figure 4.2B.

Remarque: Pendant l'étape d'égalisation, si le courant de charge est plus grand que le courant du panneau solaire, la tension de batterie va baisser. Si la tension de batterie baisse jusqu'à environ 1V en-dessous du point de réglage de tension d'égalisation de Masse. Le Cycle de Service MLI est changé à 100%. Le voyant d'état de « Ve » pour environ 1 min, le contrôleur retourne à l'étape de batterie basse jusqu'à environ 1V en-dessous du point de réglage de tension de batterie avant clignotera toujours en orange. Il va retourner à la MLI quand la tension de batterie atteint le point de réglage de tension d'égalisation » Ve « est peut-être soutenu pour une période minimale d'environ 50 à 55 sec.



MISE EN GARDE!

Tant que l'étape d'égalisation est active, il va pas sortir de cet étape sauf s'il y a suffisamment de courant de chargement du panneau solaire pour recharger la batterie jusqu'au point de réglage de tension d'égalisation programmée

- Suivez les instructions suivants pour éviter le verrouillage dans l'égalisation :
 - Il ne devrait pas avoir une charge sur la batterie afin d'assurer que tout le courant du panneau est disponible pour égaliser les batteries.
 - Le courant de court-circuit des panneaux devrait être 5% à 10% de la capacité Ah de la banque de batterie

4.2.4 Cycle de charge d'égalisation

ATTENTION!



- L'égalisation est effectuée uniquement pour les batteries au plomb-acide à cellules non-scellées / à plomb ouvert / inondées / mouillées.
- N'égalisez pas les batteries scellées Lithium / VRLA de type AGM / Gel Cell, sauf autorisation du fabricant de la batterie.
- Compléter l'électrolyte avec de l'eau distillée une fois l'égalisation terminée.
- Un sur-chargeement et une gazéification excessive peut endommager les plaques de batterie et peut causer la perte des matériaux actifs. Une égalisation qui est trop forte ou dure trop longtemps peut endommager la batterie. Lisez les instructions sur la batterie spécifique utilisée dans le système.
- Il devrait pas avoir une charge sur les batteries mais il devrait avoir une pleine exposition à la lumière solaire pour un jour (aucune ombre ni nuages) afin d'assurer que le maximum de courant des panneaux peut être utilisé pour égaliser les batteries.
- Le courant de court-circuit des panneaux devrait être 5% à 10% de la capacité Ah de la banque de batterie.

L'égalisation est une surcharge intentionnelle de la batterie pendant une période de temps contrôlée. Généralement utilisé sur les batteries inondées, les cycles d'égalisation de routine sont souvent essentiels aux performances et à la durée de vie d'une batterie. Le fabricant de la batterie fournira des détails sur la fréquence et la tension d'égalisation à utiliser.

Étape - 1: Étape de Masse. Reportez-vous à la figure 4.2B. Pendant la nuit, la tension de batterie va baisser en-dessous du point de réglage de tension de Maintien « Vf » (la portion de Courbe A1 à B1), Car il n'y a pas de soleil et le déchargement se passe à cause des charges qui sont fait marché pendant la nuit p.e. L'éclairage nocturne.

Quand le soleil est levé au matin du 28th jour, l'égalisation est activée et le chargement commence à l'Étape1, Étape de Masse. Durant cet étape (la portion de Courbe B1 à C1), l'interrupteur est gardé à Un Cycle de Service de 100% (Alimenté continuellement) et donc, le courant maximal égal au courant de court-circuit disponible « Icc » du panneau au Courant de Chargement Constant. Quand la tension atteint le point de réglage de Tension d'Absorption « Va » (le Point « C ») et est soutenu pour une période minimale d'environ 50 à 55 sec, le contrôleur transitions à l'Étape d'Absorption. À la fin de l'Étape de Masse, la batterie est chargée à environ 80% de la capacité. Le solde de 20 % de capacité est restauré lors de la prochaine étape de péreuation.

Étape - 2: Étape d'égalisation. Reportez-vous à la figure 4.2B. Le contrôleur entre dans cette étape au point « C1 » de l'étape précédente lorsque la tension de la batterie atteint le point de consigne de régulation de tension d'égalisation « Ve » et

SECTION 4 | CARACTÉRISTIQUES ET FONCTIONNEMENT

de Chargement Constante. C'est une condition de surtension contrôlée intentionnelle pour la batterie pendant 1 Hr. Ceci est nécessaire pour retourner la 205 de la capacité restante. À cette tension, la batterie commence la gazéification (évolution de l'Hydrogène et l'Oxygène à cause de l'électrolyse de l'eau dans l'électrolyte) et donc, il est nécessaire de quitter cet étape aussi tôt que 100% de la capacité est rétabli. Si la surtension continue après que la capacité est complètement rétabli, la batterie serait endommagée à cause des effets de la surcharge comme une surchauffe, perte d'eau, la corrosion des plaques Positives et une accumulation de pression qui va résulter dans un versement d'acide grâce à l'ouverture des valves de surpression (batteries scellées). Le 20% de la capacité est rétabli à cet étape. Pendant que la capacité de batterie augmente de 80% à 100%, le contrôle MLI réduit le courant en réduisant continuellement le Cycle de Service de < 100% à > 0%.

Remarque: Un changement au point de réglage de tension de maintien « Vf » n'est possible tant que la tension de batterie est gardé au point de réglage de tension « Va » pour une période continue ou cumulativement / cumulativement pour 1 Hr, la transition à l'étape de Maintien Ne passera PAS (Les périodes durant lesquelles la tension de batterie tombe en-dessous de « Va » ne compte pas envers la période d'une heure).

Pendant l'étape d'Absorption, si le courant de charge est plus grand que le courant du panneau solaire, la tension de batterie va baisser. Si la tension de batterie baisse jusqu'à environ 1V en-dessous du point de réglage de tension d'absorption « Va » pour environ 1 min, le contrôleur retourne à l'étape de Service MLI est changé à 100%.

Étape- 3: Étape de Maintien. Reportez-vous à la figure 4.2A. Le contrôleur entre cet étape de l'étape d'Absorption précédé au point « D » après que la tension de batterie est gardée au point de réglage de tension d'absorption « Va » pour une période continue ou cumulatif d'une Heure.

Pendant cet étape (Portion de Courbe « D » à « E »), l'interrupteur fonctionne par le contrôle MLI en alimentant un courant de court-circuit puisé « Icc » avec un Cycle de Service très bas de 0% à > 10% pour garder la tension de batterie constante au Point de Réglage de Tension De Maintien « Vf » Pendant cet étape, la batterie est 100% chargée et exige un très bas charge d'entretien 0.1% de la Capacité Ah afin de récompenser la batterie pour sa auto-consommation. La batterie peut rester dans cet étape pour une période prolongée.

REMARQUE: Pendant l'étape de Maintien, si le courant de charge est plus grand que le courant du panneau solaire, la tension de batterie va baisser. Si la tension de batterie baisse jusqu'à environ 1V en-dessous du point de réglage de tension de maintien « Vf » continu pour environ 1 min, le contrôleur retourne à l'étape de Masse.

- **Chargement de la batterie au lithium (Fig 4.2A):** Cet algorithme suit les mêmes étapes que le plomb-acide et est utilisé pour la charge quotidienne normale des batteries au lithium LiFePO4 conçues pour les remplacements de plomb-acide.

La charge est séquentielle: Étape 1: Étape de masse - Sortie de courant constant jusqu'à ce que la tension atteigne le point de consigne de tension d'absorption. Étape 2: Étape d'absorption - Charge à tension constante pendant 30 minutes. Étape 3: Étape flottante - Charge à tension constante.

La transition d'une étape à l'autre sera contrôlée par les points de consigne de régulation de tension sélectionnés programmés sur l'EVO-O-30AB via les commutateurs DIP ou à partir d'un onduleur/chargeur EVOTM comme suit :

- Point de Réglage de la Tension d'Absorption « Va »
- Point de Réglage de la Tension d'Égalisation « Vè »
- Point de Réglage de la Tension de Maintien « Vf »

4.2.3 Charge d'acide de plomb

Étape - 1 : Étape en vrac. Reportez-vous à la figure 4.2A. Pendant la nuit, la tension de la batterie chutera en dessous du point de consigne de tension de transition flottante « Vf » (partie de courbe A à B), car il n'y a pas de soleil et de décharge en raison des équipements (charges) qui sont alimentées pendant la nuit.

Lorsque le soleil est disponible le matin, la charge commence en mode Bulk Stage. Au cours de cette étape (partie de la courbe B à C), le commutateur est maintenu à 100% du cycle de service (ON en continu) et, par conséquent, un courant maximum égal au courant de court-circuit disponible "I_{sc}" du panneau est fourni à la batterie et à la batterie. la tension commence à monter. Cela équivaut à une charge à courant constant. Lorsque la tension atteint le point de consigne de tension de régulation d'absorption « Va » (point « C ») et est maintenue pendant une période minimale d'environ 50 à 55 secondes, le contrôleur passe à l'étape d'absorption. A la fin de la Bulk Stage, la batterie est chargée à environ 80% de sa capacité. Le solde de 20 % de capacité est restauré dans la prochaine étape d'absorption.

Étape - 2: étape d'Absorption. Reportez-vous à la figure 4.2A. Le contrôleur entre cet étape au point « C » de l'étape précédent l'étape de Masse quand la tension de batterie atteint le point de réglage de tension d'absorption « Va » et est soutenu pour une pour une période minimale d'environ 50 à 55 sec. Cet étape a une durée d' 1 Hr - soit continue ou cumulative (Portion de Courbe C à D).

Dans cet étape, l'interrupteur fonction par le contrôle MLI en alimentant un courant de court-circuit puisée « I_{sc} » avec un Cycle de Service qui diminue constamment (< 100% et > 0%) / courant moyen pour garder la tension de batterie constante au Point de Réglage de Tension D'Absorption « Va » (Portion de Courbe C à D). Ceci est équivalent à la Tension

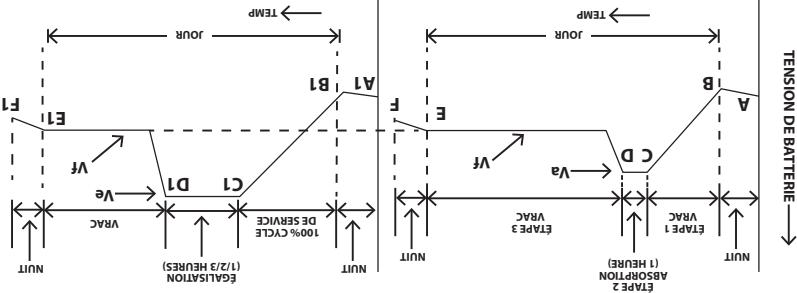
SECTION 4 | CARACTÉRISTIQUES ET FONCTIONNEMENT

commutation par seconde est appelée la fréquence PWM. Mathématiquement, fréquence de l'impulsion « T » et est de 300 Hz dans ce cas ($1/33,3\text{ ms} = 300\text{ Hz}$). La durée de l'état ON est également appelée « Largeur d'impulsion ». Dans le contrôle PWM, la durée de la largeur d'impulsion est variée (modulée) et est définie par le « cycle de service » qui est le rapport du « temps d'activation » à la « période d'impulsion ». Le cycle de service est normalement spécifié en %. Ainsi, 0% Duty Cycle signifie que l'interrupteur est constamment éteint (sortira 0A) et 100% Duty Cycle signifie que l'interrupteur est constamment allumé (émettra le courant de court-circuit complet (I_{sc})).

4.2.2 Cycle de charge standard

Remarques:

1. Pour bien comprendre l'algorithme de chargement, veuillez lire la Section 3 - Information Générale: Batteries.
2. Pour les raisons expliquées à la Fig. 4.2A / 4.2B, il est supposé qu'il n'y a pas de charge sur la batterie pendant la journée quand le chargement est en cours. Il y a une petite charge pour allumage au soir, qui est FERME quand il fait jour.



Les trois types d'algorithmes de charge suivants sont utilisés pour restituer une capacité de 100 % et éviter un dégagement gazeux excessif :

- **Acide au plomb - Charge normale (Fig 4.2A):** Cet algorithme est utilisé pour le chargement normal de tous les jours. Le chargement est séquentiel: Étape 1: Étape de Masse (Un Cycle de Service de 100% qui est équivalent au Courant Constant) → Étape 2: Étape d'Absorption - charge à tension constante pendant 1 heure → Étape 3: Étape de Maintien (Très Faible Cycle de Service de 0% à < 10% qui est équivalent à la Tension Constante).

- **Acide au plomb - Charge d'égalisation (Fig 4.2B):** Ceci est fait automatiquement tous les 28 jours ou à cause d'un démarrage manuel. Étape 1: Étape de Masse (Un Cycle de Service de 100% qui est équivalent au Courant Constant) → Étape 2: Étape d'égalisation - charge à tension constante à la tension d'égalisation → Étape 3: Étape de Maintien (Très Faible Cycle de Service de 0% à < 10% qui est équivalent à la Tension Constante).

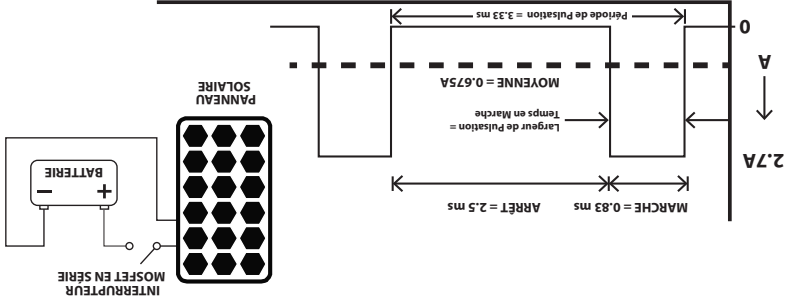
4.2 Opération de charge EVO-30AB

La conception et le fonctionnement de l'EVO-30AB sont basés sur un contrôle de type série PWM (modulation de largeur d'impulsion) à une fréquence de 300 Hz.

4.2.1 Modulation de largeur d'impulsion

Afin de comprendre le fonctionnement du contrôleur, il est important de comprendre le concept de PWM et Duty Cycle, qui sont expliqués à l'aide de la Fig. 4.1.

Si vous considérez que la sortie du panneau solaire est connectée à la batterie en série avec un interrupteur. Le fonctionnement ON / OFF contrôle du commutateur est utilisé pour contrôler le courant et la tension pour charger la batterie.



$\text{FRÉQUENCE} = \frac{1}{\text{PÉRIODE}} = \frac{1}{3.33 \text{ ms}} = 300 \text{ Hz}$	$\% \text{ CYCLE DE SERVICE} = \frac{\text{LARGEUR DE PULSATION}}{\text{PÉRIODE}} = \frac{0.83 \text{ ms}}{3.33 \text{ ms}} = 25\%$
--	---

La Fig. 4.1. Le contrôle MLI type Série-Fréquence MLI = 300 Hz

Un panneau solaire est une source de courant qui produit un courant presque constant égal à son courant de court-circuit (I_{sc}) sur une large plage de tension. Grâce au contrôle PWM, le commutateur convertit le courant de court-circuit constant (I_{sc}) à son entrée en courant moyen constant à sa sortie en faisant varier le cycle de service. La valeur moyenne du courant de sortie du commutateur est égale à la valeur d'entrée constante du courant de court-circuit (I_{sc}) multipliée par le cycle de service. Le cycle de service est le % de temps pendant lequel l'interrupteur est activé par rapport à l'interrupteur étant activé 100 % du temps. Un cycle de service de 25% signifierait que sur chaque seconde, l'interrupteur sera sur 0,25 seconde, permettant au courant de circuler pendant seulement cette partie de temps. Cela modifie la quantité moyenne de courant arrivant à la batterie.

La figure 4.1 ci-dessus montre un exemple où le courant de court-circuit d'entrée constant (I_{sc}) de 2,7 A est réduit à une moyenne de 25 % ou à 0,675 A en activant et désactivant le courant de court-circuit constant (I_{sc}) de 2,7 A à un cycle de service de 25 %.

Le PWM consiste en des cycles répétitifs de durée contrôlée des états ON et OFF du commutateur. La période d'impulsion d'un cycle de 300 Hz PWM est la durée totale combinée des états ON et OFF du commutateur qui est de 3,33 ms. Le nombre de cycles de

4.1.1 Contrôleur de charge autonome

L'EVO-30AB peut être installé en tant que contrôleur de charge autonome ou il peut être ajouté à d'autres produits EVO™ et connecté à l'aide du câble de communication pour permettre à vos produits EVO™ de communiquer et d'être surveillés à partir de la même télécommande.

4.1.2 Utilisation étendue avec d'autres produits EVO™

Le port de communication de l'EVO-30AB étend ses capacités lorsqu'il est connecté à d'autres produits EVO™. Cela permet différentes méthodes de mise en œuvre. Le produit peut être utilisé de trois manières :

- Avec affichage à distance EVO-RC-PLUS
- Avec un onduleur / chargeur EVO™ et un écran à distance
- Avec un onduleur/chargeur EVO™ et aucun affichage à distance

• Affichage à distance - EVO-RC-PLUS

L'EVO-RC-PLUS est un affichage à distance utilisé pour surveiller le fonctionnement des produits EVO™. L'EVO-30AB fait partie de cette famille et peut être contrôlé par la télécommande. Le fait d'avoir la télécommande en tant qu'unité séparée permet de placer le contrôleur de charge EVO-30AB à proximité des batteries et de placer l'écran EVO-RC-PLUS dans un emplacement séparé pratique pour la surveillance.

• EVO-30AB avec chargeur onduleur EVO™ et EVO-RC-PLUS

L'installation du contrôleur de charge EVO-30AB, d'un EVO-RC-PLUS et d'un onduleur / chargeur EVO™ rend votre système d'alimentation complet gérable à partir d'un seul appareil de surveillance. L'EVO-RC-PLUS affichera les alarmes et l'état de l'EVO-30AB et de l'onduleur/chargeur EVO™.

Lorsqu'ils sont connectés ensemble, l'EVO-30AB suivra les paramètres programmés dans l'onduleur/chargeur EVO™. Cela synchronisera les deux unités pour qu'elles fonctionnent avec les mêmes paramètres de volume, d'absorption, de flotttement et d'égalisation, ainsi que pour changer de mode en même temps.

• EVO-30AB avec onduleur/chargeur EVO™ (pas d'EVO-RC-PLUS)

Lorsque l'EVO-30AB est installé avec un onduleur/chargeur EVO™ sans l'EVO-RC-PLUS, l'EVO-30AB fonctionnera uniquement en fonction des paramètres du contrôleur de charge. L'onduleur/chargeur gèrera son courant de charge en fonction du courant de sortie de l'EVO-30AB, comme décrit dans le manuel EVO™ (section 5.4).

MISE EN GARDE!



Paramètres du commutateur DIP lorsque les communications sont déconnectées
Dans toutes les configurations, si le câble de communication est déconnecté pendant le fonctionnement, l'EVO-30AB agit comme un chargeur autonome, en utilisant les paramètres de l'onduleur/chargeur EVO™ jusqu'à ce que l'EVO-30AB soit rallumé. Après quoi, il utilisera les paramètres du commutateur DIP.

3.4.1 Effets de la température sur les batteries au lithium

Les batteries au lithium ne sont pas affectées par la température de la même manière que les batteries au plomb, mais la température doit être prise en compte si elle descend en dessous de zéro.

Les batteries au lithium ne doivent pas être chargées lorsque la température de la batterie descend en dessous de zéro. La plupart des batteries se coupent ou utilisent un dispositif de chauffage interne pour protéger la batterie. Ce sont des dispositifs de sécurité car chargés des batteries au lithium lorsque les cellules sont en dessous de zéro peut entraîner un incendie et une défaillance catastrophique de la batterie. Vérifiez auprès de votre fabricant de batterie pour voir quelles protections sont sur votre batterie pour ces conditions.

En général, conservez vos batteries au lithium dans un endroit qui les maintient au-dessus de 0 °C ou conformément aux spécifications du fabricant.

Compensation de température : n'activez pas la compensation de température sur les batteries au lithium. Cela peut endommager la batterie et peut être dangereux.

3.4.2 Batteries au lithium en série et en parallèle

Assurez-vous de vérifier auprès du fabricant si la batterie peut être placée en série ou en parallèle. Certains produits de batterie au lithium ne prennent pas en charge les configurations en série.

SECTION 4 | CARACTÉRISTIQUES ET FONCTIONNEMENT

L'EVO-30AB est un contrôleur de charge solaire PWM (Pulse Width Modulation). Il peut être utilisé pour les systèmes de batterie 12V ou 24V.

4.1 Caractéristiques

- La fonctionnalité s'étend lorsqu'elle est connectée à un affichage à distance EVO™ ou à un onduleur/chargeur EVO™
- Capacité de double tension - peut être utilisé avec des systèmes 12V ou 24V
- Capacité de charge 30A
- La charge par modulation de largeur d'impulsion est fournie à une fréquence PWM de 300 Hz pour une charge à faible perte et plus efficace.
- 4 étapes de charge pour un retour à 100 % de la capacité et une longue durée de vie de la batterie - étapes de charge, d'absorption, de flottement et d'égalisation
- Choix de 8 ensembles de réglages de tension d'absorption / flottant / d'égalisation pour permettre la charge complète d'une large gamme de batteries au plomb et au lithium
- Le capteur de température de batterie à distance (BTS) modèle 30A-B-T5 (en option) pour la compensation de température assure une charge correcte des batteries qui sont exposées à de grandes variations de température au cours de l'année.

Il est recommandé que chargeur de batterie / contrôleur de charge avec une fonctionne pour détecter et compenser la température si l'électrolyte de batterie varie par plus que 5°C à 10°C (9°F à 18°F).

Perte de la Capacité de Batterie à des Faibles Températures
 Les batteries perdent leur capacité à des faibles températures. À 32°F (0°C), une batterie va délivrer environ 70 to 80% de sa capacité minimale à 80°F (26,7°C). Si la température de l'électrolyte de la banque de batterie est moins que 80°F (26,7°C), des batteries additionnelles seront nécessaires pour fournir la même capacité utilisable. Pour des climats vraiment froid, un compartiment de batterie isolée/ chauffée est recommandé.

La Congélation d'électrolyte

Pour des applications à faible température ambiante, la batterie au plomb acide devrait être protégée de la congélation d'électrolyte. Le risque de congélation dépend de l'état de charge. La figure ci-dessous illustre la limite de congélation comme fonctionne de l'état de charge.

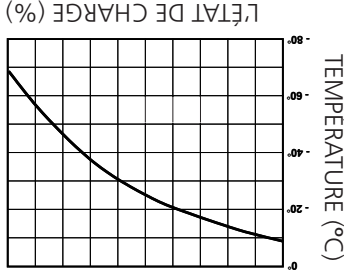


Fig 3.5. Température vs état de charge

3.4 Piles au lithium

Remplacements de goutte d'acide de plomb :

Il existe un certain nombre de chimies différentes pour les batteries au lithium. Le plus couramment utilisé comme remplacement de batterie au plomb-acide est la chimie de la batterie LiFePO4. Ces batteries doivent être livrées avec un système de gestion de batterie (BMS) intégré. Cela utilisera des protections sur la batterie pour la sécurité et le fonctionnement.

Autres produits chimiques au lithium :

Au fur et à mesure que le lithium évolue vers une source de batterie, d'autres produits chimiques peuvent être mis sur le marché. Consultez le manuel de la batterie et les spécifications de charge. Comparez ensuite avec le fonctionnement du contrôleur de charge. Il est possible que le chargeur soit configuré pour la batterie de votre sélection. La batterie doit toujours inclure un BMS qui protège la batterie et pour des raisons de sécurité car le contrôleur de charge ne fournira que de l'énergie.

3.3.5 Impact de la profondeur de décharge sur la durée de vie de la batterie

Plus une batterie est déchargée à chaque cycle, plus la durée de vie de la batterie est courte. Utilisant plus de batteries que le minimum exigé va allonger la vie de la banque de batterie. La durée de vie typique est donné dans le Tableau 3.4 ci-dessous :

PROFONDEUR DE DECHARGE % DE CAPACITE Ah	VIE DE GROUPE 27 / 31	VIE DE GROUPE 8D	VIE DE GROUPE G2	LIFEPO4 (100AH)
10	1000	1500	3800	9000
50	320	480	1100	6000
80	200	300	675	4000
100	150	225	550	2000

Tableau 3.4. Diagramme de cycle de vie typique

3.3.6 Effet de la température sur les batteries au plomb

Les caractéristiques de charge de la batterie varient avec la température. Ceci est presque linéaire et le coefficient de tension de changement de température est normalement compris entre -3 mV / °C / cellule. Lorsque la température augmente, la tension de charge est réduite et lorsque la température diminue, la tension de charge augmente.

Tous les réglages de tension de chargement sont spécifiés à 25°C / 77°F. Dans les systèmes solaires, les températures de batterie varient souvent jusqu'à 15°C de la référence de 25°C. Les Tensions d'Absorption, de maintien et d'Égalisation devront être ajustés, ou il faut utiliser un contrôleur avec une Sonde Thermique. Le Tableau ci-dessous montre des exemples de comment la tension est ajusté pour la Tension d'Absorption Voltage de 14,4V pour une batterie par exemple. (basé le Changement du Coefficient de Tension de la Température de -5 mV / °C / Cellule ou -30mV (.03V) pour une batterie à 6 cellules, de 12V).

TEMPERATURE DE BATTERIE	TENSION D'ABSORPTION (BATTERIE DE 12V)
40°C	13.95V
25°C (Référence)	14.4V (Référence)
10°C	14.85V

Tableau 3.5. Tension d'absorption en fonction de la température (exemple)

Si la compensation de température n'est pas fournie, la batterie plus chaude à 40°C va commencer à chauffer et à dégazer à 13,95V et va continuer à surcharger jusqu'à ce que le réglage de la Tension d'Absorption non-compensée est atteint (14,4V). Dans les températures plus froide, la batterie de 10°C va être sous-charge, et éventuellement va subir à la sulfatation.

Une batterie au plomb-acide a un rendement de 75% - 85%. L'énergie perdue se transforme en chaleur et réchauffe la batterie. Cela veut dire qu'il faut avoir 120% à 130% plus d'énergie Ampère-Heure (Ah) que la classification Ah de la batterie afin d'être de charger entièrement la batterie.

3.3.4 Rendement de la Batterie

La batterie d'une capacité de 100 Ah fournira une capacité de 100 % (c'est-à-dire 100 Ah complète) si elle est déchargée lentement pendant 20 heures à un taux de C/20 A ou 5 A. Cependant, s'il est déchargé à un rythme de 2 heures. (C/2A ou 50A) alors le Tableau ci-dessus montre que pour 2 Heures de débit de décharge (C/2A ou 50A), la capacité est réduite à 50% (soit 50 Ah). Par conséquent, à un taux de décharge de 50 ampères, la batterie durera en fait 50 Ah 50A = 1 heure.

Le Tableau 3.3. La Capacité de Batterie versus le Taux de Décharge

HEURES DE DÉCHARGE	Taux DE DÉCHARGE	Taux DE DÉCHARGE POUR LA BATTERIE DE 100 AH	CAPACITÉ UTILISABLE
1 HRS.	C A	100A	40 %
2 HRS.	C/2 A	50A	50 %
3 HRS.	C/3 A	33,3A	60 %
5 HRS.	C/5 A	20A	70 %
6 HRS.	C/6 A	16,7A	75 %
8 HRS.	C/8 A	12,5A	83 %
10 HRS.	C/10 A	10A	87 %
20 HRS.	C/20 A	5A	100 %

La capacité nominale de la batterie au plomb en Ah est normalement applicable à un taux de décharge de 20 heures. Cette relation n'est pas linéaire, au fur et à mesure que le débit de décharge est augmenté, la capacité utile diminue, mais est plus ou moins selon le tableau ci-dessous :

3.3.3 Capacité réduite à décharge plus élevée

Le Tableau 3.2. Tailles de Batterie Populaires

* Conseil de Batterie Internationale ** Voiturette de Golf

GRUPE BCI*	TENSION DE BATTERIE, V	CAPACITÉ TYPIQUE, AH
27 / 31	12	105
4 D	12	160
8D	12	225
GC2*	6	220

Le Tableau ci-dessous montre les spécifications de quelques batteries populaires:

3.3.2 Les Tailles de Batterie Typiques

hydromètre. Quand pleinement chargée, la cellule a une tension approximative de 2,105V et l'électrolyte une densité de 1,265. Pendant le déchargement, la tension et la densité baissent. Donc, une batterie de 12V nominale saine et pleinement chargée avec 6 cellules pleinement chargée à 2,105V aura une Tensions Constante de 12,63V à 25°C / 77°F. En plus, dans une batterie saine, toutes les cellules individuelles auront une tension et densité pareille. *5'Il y a une différence importante dans les tensions (0,2V ou plus) et les densités des cellules individuelles, les cellules exigeront une égalisation.*

Batteries d'automobile

Batteries SLI utilisées pour le démarrage, l'éclairage, l'allumage et l'alimentation des accessoires automobiles. Ces batteries sont conçus pour produire une haute puissance en éclats courts pour le brassage. Les batteries d'automobile utilisent des plaques minces pour maximiser la surface pour fournir des grands éclat de courant (spécifié comme Ampère de Brassage). Ceci permet un courant de démarrage élevée mais va déformer les plaques quand la batterie est cyclisée. Le démarrage fait déchargé 1%-3% de la capacité d'une batterie d'automobile saine. *Elle n'est pas conçue pour des déchargement profonds répétés (déchargé jusqu'à 80% de la capacité et puis rechargé). Si une batterie d'automobile est utilisée dans cette manière, la durée de vie serait réduite.*

Ce type de batterie n'est pas recommandé pour le stockage d'énergie pour les dispositifs alimentés par CC comme l'éclairage, des radios, des onduleurs, etc. Néanmoins, elles sont recommandées pour une génératrice de réserve.

Batteries au Plomb-Acide à Cycle Profond

Les batteries au plomb acide à cycle profond sont conçues avec des électrodes à plaques épaisse qui servent comme source primaire de puissance ; elles ont un taux de décharge constant, peuvent être profondément déchargé jusqu'à 80% de la capacité et puis rechargée répétitivement. Elles sont vendues pour l'utilisation dans les VRs, bateaux, et voitures de golfs – alors il peuvent être appelé des batteries de VR, marines ou de voiturette de golf.

Batterie au lithium (LiFePO4)

Les batteries au lithium conçues pour le remplacement au plomb-acide sont prises en charge par ce contrôleur de charge dans une configuration nominale de 12 V ou 24 V. Assurez-vous que les tensions de charge recommandées par le fabricant sont configurées en conséquence sur le commutateur DIP du contrôleur de charge. La compensation de température et l'égalisation ne doivent pas être utilisées avec les batteries au lithium.

Les batteries au lithium ne doivent pas être chargées en dessous de 0 °C, sauf indication contraire du fabricant. Dans certaines circonstances, le fabricant disposera d'un BMS et d'un réchauffeur interne qui réchauffent la batterie pour permettre la charge à des températures inférieures au point de congélation. Vérifiez auprès du fabricant de la batterie si vous attendez à ce que vos batteries descendent en dessous des températures de congélation.

la batterie de la première batterie (batterie 1 dans la Fig. 3.3) ou à la borne positive de la batterie de la première chaîne de batterie (batterie 1 de la chaîne 1 sur la figure 3.4), le câble de sortie négatif du chargeur de batterie (câble « B ») doit être connecté à la borne négative de la dernière batterie (batterie 4 comme sur la figure 3.3) ou à la borne négative de la dernière chaîne de batteries (Batterie 4 de la chaîne de batteries 2 comme dans la Fig. 3.4). Cette connexion garantit les éléments suivants :

- Les résistances des câbles d'interconnexion seront équilibrées.
- Toutes les batteries individuelles/chaines de batteries généreront la même résistance en série.
- Toutes les batteries individuelles vont recharger au courant de charge pareil, donc elles arriveront au même état au moment pareil.
- Aucune des batteries ne verra une condition de surcharge.
- Si cela n'est pas suivi, les événements suivants peuvent se produire dans votre système :
 - Toutes les batteries individuelles seront chargées à un courant de charge différent et atteindront ainsi un état complètement chargé à des moments différents.
 - La batterie avec une résistance série inférieure prendra moins de temps à charger que la batterie qui voit une résistance série plus élevée et, par conséquent, subira une surcharge et sa durée de vie sera réduite.
 - La durée de vie et la capacité de la batterie seront réduites.

3.3 Batteries au plomb

3.3.1 Types de batterie

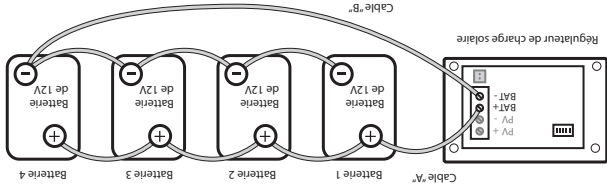
Batteries au Plomb-Acide Sans Entretien ou Réglé par Valve (VRLA)

Les batteries au plomb-acide sans entretien ou réglée par valve (VRLA) sont soit Cellule Gélée, l'électrolyte est une dans une forme de gel. Dans une batterie AGM, l'électrolyte est imprégné dans un matelas en verre. Dans les deux types, l'électrolyte est immobile. Il y a pas de capuchons de remplissage est la batterie est complètement étanche. L'Hydrogène et l'Oxygène libérés pendant le rechargement peuvent pas s'échapper et sont recombinaés dans la batterie. Donc, il y aucune perte d'eau et les batteries n'exigent pas d'entretien. Ces batteries ont des valves de sécurités sur chaque cellule pour libérer la pression excessive qui pourrait accumuler dans la cellule. La Cellule Gélée est la moins affectée par des extrêmes de température, le stockage à un état faible de charge et a un faible taux d'auto-consommation. La batterie AGM peut tolérer mieux un sur-chargement mieux que la batterie à Cellule Gélées.

Batteries au Plomb-Acide Non-Étanche (à Cellules Ventilées /Inondées / Mouillées)

Dans une batterie non-étanche à cellules ventilées / inondées / mouillées, chaque compartiment de cellule individuel a un capuchon de remplissage utilisé pour remplir la cellule avec l'eau distillée et pour mesurer la densité de l'électrolyte en utilisant un

3.2.2 La Connexion en Parallèle



La Fig. 3.3. La Connexion en Parallèle

Lorsque deux ou plusieurs batteries sont liées en parallèle, la tension reste pareille, mais les capacités additionnent. La Fig. 3.3 ci-dessus illustre 4 batteries de 12V, 100 Ah liées en parallèle pour former une banque de batteries de 12V avec une capacité de 400 Ah. Les quatre bornes Positives des Batteries 1 à 4 sont liées en parallèle (reliées entre elles) et ce lien Positif commun devient la borne Positive de la banque de batteries de 12V. De la même façon, les quatre bornes Négatives des Batteries 1 à 4 sont liées en parallèle (reliées entre elles) et ce lien Négatif commun devient la borne Négative de la banque de batteries de 12V.

3.2.3 La Connexion en Série – Parallèle

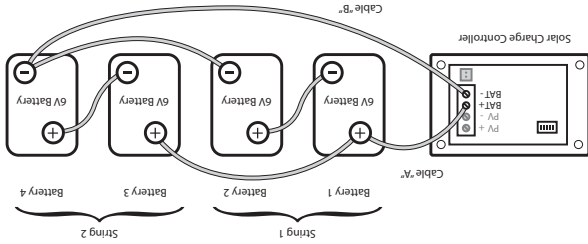


Fig. 3.4. La Connexion Série-parallèle

La Fig. 3.4 ci-dessus montre une connexion en série - parallèle composée de quatre batteries de 6V, 200 Ah pour former une banque de batteries de 12V, 400 Ah. Deux batteries de 6V, 200 Ah, les Batteries 1 et 2 sont liées en série pour former une batterie de 12V, 200 Ah (La Chaîne 1). Semblablement, deux batteries de 6V, 200 Ah, les Batteries 3 et 4 sont liées en série pour former une batterie de 12V, 200 Ah (La Chaîne 2). Ces deux Chaînes de 12V, 200 Ah, sont liées en parallèle pour former une banque de batteries de 12V, 400 Ah.



CAUTION!

Il convient de prêter attention à la manière dont le chargeur est connecté au parc de batteries. Assurez-vous que si le câble de sortie positif du chargeur de batterie (câble « A ») est connecté à la borne positive de

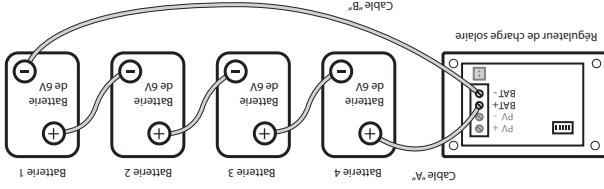
- b) Déterminer / calculer la puissance en watts évité de la batterie in Watts (W) par les dispositifs CA et CC. Pour les dispositifs CC, ceci serait pareil que la puissance nominale CC (Formule 3). Pour les dispositifs CA alimentés par un onduleur CC à CA, utilisez la Formule 4 pour calculer la puissance en Watts (W) évitée de la batterie.
- c) Calculer la consommation d'énergie en Watt-Heures (Wh) pour chaque charge en suivant la Formule 5 basé sur la durée en heures que chaque charge sera en marche. Additionnez tout pour avoir l' énergie totale en Watt-Heures (Wh).
- d) Calculer la consommation d'énergie de batterie totale en Ampère-Heures (Ah) pour toutes les charges CC et CA combinées en suivant la Formule 6.

Déterminer la Vraie Capacité Ah de la Banque de Batterie

- a) Batteries au plomb : Dans les applications où vos batteries seront déchargées et rechargées en permanence (cyclage), l'espérance de vie de la batterie dépendra de la profondeur de décharge de la batterie. Les décharges profondes de la batterie réduiront considérablement l'espérance de vie. Par conséquent, nous recommandons de ne pas décharger plus de 50 % de la batterie dans les applications de cyclage. Pour ce faire, la capacité Ah calculée doit être doublée lors de la sélection d'une batterie.
- b) Batteries au lithium : les batteries au lithium n'ont pas d'impact significatif sur leur durée de vie lorsqu'elles sont déchargées à 80 % et ont un nombre de cycles élevé par rapport au plomb-acide. Leur capacité est également constante tout au long du taux de décharge de la batterie. Cela signifie que vous pouvez dimensionner la batterie à seulement 1,25 fois les exigences Ah calculées de votre système lors de la sélection de votre produit de batterie au lithium.

3.2 La Connexion en Série et en Parallèle des Batteries

3.2.1 La Connexion en Série



La Fig. 3.2. La Connexion en Série

Lorsque deux ou plusieurs batteries sont liées en série, les tensions additionnent, mais la capacité Ah reste pareille. La Fig. 3.2 ci-dessus illustre 4 batteries de 6V, 200 Ah liées en série pour former une banque de batteries de 24V avec une capacité de 200 AH.

Dans ce cas, la capacité de 100 Ah est évaluée à un taux de décharge de 20 heures jusqu'à ce que la tension chute à 17,5 V par cellule (ou 10,5 V sur une batterie de 12 V).

La capacité nécessaire du groupe de batteries en ampères-heures (Ah) est déterminée sur la base des ampères nécessaires à fournir pour faire fonctionner les charges CC et CA souhaitées pendant une période de temps souhaitée en heures.

3.1.1 Dimensionnement du banc de batteries

La capacité du groupe de batteries en ampères-heures (Ah) est déterminée en fonction des ampères nécessaires à fournir pour faire fonctionner les charges CC et CA souhaitées pendant une période de temps souhaitée en heures.

For example, backup energy may be required at 10 amps (from the battery at the battery voltage) for 4 hours. This would be 40 Ah required from the battery.

Pour déterminer la taille de la batterie, commencez par calculer vos besoins en Ah, puis ajoutez des facteurs d'efficacité et d'espérance de vie de la batterie. Enfin, utilisez les fiches techniques des batteries pour sélectionner votre batterie. Les formules suivantes s'appliquent au calcul de vos besoins en Ah.

FORMULE 1	Puissance CC en watts (W)	Volts CC(V) x courant CC (A)
FORMULE 2	Puissance CA en watts (W)	Volts CA (V) x courant CA (A) x facteur de puissance (0,8 typique)
FORMULE 3	Puissance CC évitée de la batterie par la charge CC alimentée directement par la batterie	Puissance CC de la charge en watts (W)
FORMULE 4	Puissance ca évitée de la batterie par la charge CA alimentée par l'onduleur CC-CA	1,2 X puissance de la charge CA en watts (W) (en supposant une efficacité moyenne de l'onduleur = 84%)
FORMULE 5	Consommation d'énergie par la batterie en watt-heure (wh).	Puissance en watts (W) x temps en heures (h)
FORMULE 6	Consommation d'énergie par la batterie en ampère heure (ah)	Batterie de 24 v Consommation d'énergie en watt-heure (wh) ÷ 24
		Batterie de 12 v Consommation d'énergie en watt-heure (wh) ÷ 12

Tableau 3.1. Formules de dimensionnement des batteries

Déterminer la Consommation d'Énergie Totale de la Batterie – Le premier étape est de déterminer la consommation d'énergie totale de la batterie en Ampère-Heures pour faire marcher les charges CA et CC pendant la durée voulue:

a) Déterminez la puissance nominale en Watts (W) de chaque dispositif CA ou CC. Si n'est pas disponible, calculez-la en suivant les Formules 1 ou 2.

Les ampères sont le courant tiré de la batterie et les heures sont le temps nécessaire pour décharger la batterie. Ces informations se trouvent dans les tableaux de la fiche constructeur de la batterie. Il est spécifié sur les fiches techniques sous la forme 100Ah : taux de @20hr à 1,75 VPC.

Les ampères-heures sont la valeur nominale d'une batterie calculée par les ampères x heures.

La capacité de la batterie est la mesure de l'énergie électrique que la batterie peut stocker et fournir à une charge. Il est déterminé par la quantité de courant qu'une batterie donnée peut fournir sur une période de temps stipulée. La cote énergétique est souvent exprimée en ampères-heures (Ah) ou en capacité de réserve (RC).

3.1 Capacité de la batterie en Ah et RC

SECTION 3 | THÉORIE DE LA BATTERIE

La Tension de Sortie de la Cellule Solaire un Coefficient de Température Négative – La Tension de sortie augmente avec une diminution de la température. Par exemple, une Cellule à Silicium a un Coefficient de Température de $-2,3 \text{ mV} / ^\circ\text{C} / \text{Cellule}$. Donc, pendant les jours froids d'hiver, la tension va augmenter. Comme point de repère, la tension nominale du Contrôleur de Charge doit être calibré à 1,25 fois la Tension en Circuit Ouvert (Vco) de Panneau Solaire pour assurer que le Contrôleur de Charge n'est pas endommagé à cause d'une surtension.

Le courant de sortie d'une Cellule Solaire a un Coefficient de Température Positive – le courant de sortie augmente quand la température augmente. Cependant, il est négligeable – moins que $0,1 \% / ^\circ\text{C}$ du Courant de Court-Circuit I_{CC}.

Le courant de sortie du Panneau Solaire peut être augmenté à cause d'un effet appelé "Effet de Bord de Nuage". Quand le soleil passe à travers un trou entre les nuages, les panneaux solaires vont recevoir la pleine lumière solaire directe et aussi la lumière des nuages. Ils absorberont plus d'énergie en comparaison à un jour sans nuages. Donc, un facteur de 1,25 fois le Courant de Court-circuit I_{CC} est recommandée pour le calibrage de la capacité de courant du Contrôleur de charge.

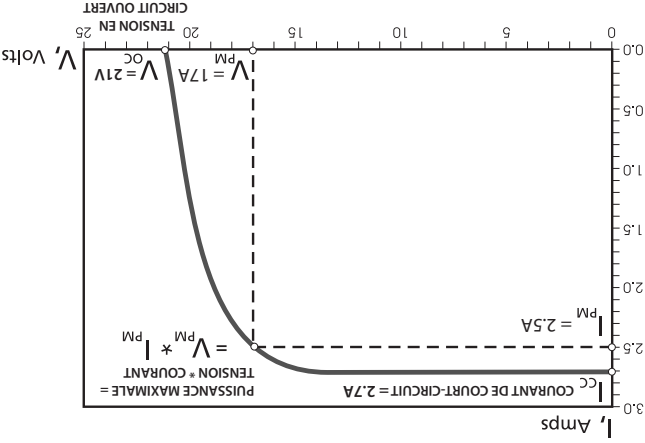
- Par la longueur d'onde des rayons incidents.
 - l'intensité de la lumière incidente.
- manières :
- La quantité de courant électrique générée par l'excitation photonique dans une cellule solaire à une température donnée est affectée par la lumière de deux

2.4 Facteurs affectant la production des cellules solaires

SECTION 2 | THÉORIE DE LA PUISSANCE DES PANNEAU SOLAIRE

SECTION 2 | THÉORIE DE LA PUISSANCE DES PANNEAU SOLAIRE

- La puissance nominale du panneau solaire en watts (Pmax) est dérivée de la tension à Vmp multipliée par le courant à Imp pour obtenir le point de puissance maximale (MPP) : Pmax = Vpm X Ipm



La Fig. 2.2. Courbe I-V et valeurs nominales d'un panneau photovoltaïque / solaire 12V

Une Courbe I-V pour un Panneau Solaire typique de 12V est montrée à la Fig. 2.2. La Tension en Circuit Ouvert Voc est de 21V et le Courant de Court Circuit I_{CC} = 2,7V. Le Point de Puissance Maximale dans la courbe au-dessus est située ou Vpm est de 17V, et le courant Ipm est de 2,5A. Donc, la puissance maximale, Pmax en watts, est égale à 17V fois 2,5A, ou 42,5 Watts.

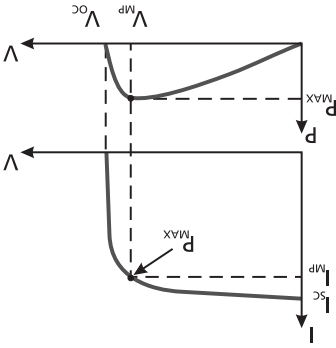
2.3 Conditions d'essai standard (STC) pour la spécification des panneaux solaires

L'industrie utilise trois conditions standard pour générer la courbe I-V et d'autres spécifications pour le panneau solaire. Ces STC sont constitués de trois conditions :

- Température – la température de la cellule et non l'air ambiant ou le métal du panneau. STC=25°C.
- Irradiance solaire – La quantité d'énergie lumineuse tombant sur le panneau. STC=1000W/m²
- Masse d'air – Le nombre est lié à l'angle de lumière et à la quantité d'atmosphère STC=1,5.

Lorsque les panneaux sont évalués en fonction de ces normes de l'industrie, les concepteurs sont en mesure de comparer les produits.

2.1 Puissances nominales et courbes de puissance



La Fig. 2.1. Courbes de Courant (I), Tension (V) et Puissance (P)

Une courbe de Courant (I) versus la Tension (V) d'un Panneau Solaire (la Courbe « I-V ») montre les combinaisons possibles de sorties de courant et de Tension. Une courbe I-V typique pour un Panneau de 12V est montrée à la Fig. 2.1.

La puissance dans un circuit électrique CC est le produit de la Tension et le courant. Mathématiquement :

- Puissance (P) en Watts (W) = Le Courant (I) en Ampères (A) X la Tension (V) en Volts (V) i.e. $W = V \times A$

Un panneau solaire produit son courant maximum lorsqu'il y a un court-circuit entre ses bornes positive et négative. Le courant maximal est appelé le Courant de Court Circuit (I_{cc}). Quand le panneau est court-circuité, la tension dans le circuit est à zéro.

Inversement, la tension maximale se produit lorsqu'il y a une coupure dans le circuit.

C'est ce qu'on appelle la tension en circuit ouvert (V_{oc}). La valeur typique de la tension en circuit ouvert (V_{oc}) des panneaux à cellules cristallines sera la suivante :

- Panneau de 12V: 36 cellules x (0,5 à 0,6V par cellule) = 18V à 21,6V
- Panneau de 24V: 72 cellules x (0,5 à 0,6V par cellule) = 36V à 43,2V

La puissance d'un dispositif PV qui est disponible à n'importe quel point sur la courbe est le produit de Courant (I) en Ampères et la Tension (V) à ce point, exprimé en Watts. Au point de court-circuit, il n'y a aucune puissance de sortie, car il n'y a pas de tension. Au point de courant de court circuit, il n'y a pas de puissance de sortie, mais cette fois-ci c'est parce qu'il n'y a pas de courant.

2.2 Puissance maximale

Il y a un point sur la cassure de la courbe I-V quand la puissance de sortie maximale est obtenue, et ce point est appelé le Point de Puissance Maximale (PPM). La Tension et le Courant à ce point sont appelées V_{pm} et I_{pm} (respectivement).

Lisez les instructions avant d'installer ou d'utiliser le contrôleur de charge pour éviter les blessures et éviter d'endommager le contrôleur de charge.

1.1 La Conformité de l'installation et du câblage

- L'installation et le câblage doivent être conformes aux codes locaux et au National Electric Code (NEC); et doivent être effectués par un(e) électricien(ne) diplômé(e).

1.2 La prévention des décharges électriques

- Le conducteur négatif du système doit être correctement mis à la terre. La mise à la terre doit être conforme aux codes locaux.
- Le démontage/la réparation doivent être effectués uniquement par du personnel qualifié.
- Déconnectez toutes les connexions d'entrée et de sortie avant de travailler sur des circuits associés au contrôleur de charge.

1.3 L'environnement d'installation

- Le contrôleur de charge doit être installé dans un environnement bien ventilé, frais et sec.
- Ne l'exposer pas à l'humidité, la pluie, la neige ou aux autres liquides.

1.4 Prévention des risques d'incendie et d'explosion

- Travailler avec le contrôleur de charge peut produire des arcs ou des étincelles. Ainsi, le contrôleur de charge ne doit pas être utilisé dans des zones où se trouvent des matériaux ou des gaz inflammables nécessitant un équipement protégé contre l'inflammation. Ces zones peuvent inclure des espaces contenant des machines à essence, des réservoirs de carburant, des compartiments de batterie.

Tableau 5.1	Affichage LED pour les étapes de charge et les défauts	28
Tableau 5.2	Description des boutons-poussoirs et des commutateurs	28
Tableau 5.3	Ecrans opérationnels	31
Tableau 5.4	Paramètres d'affichage LCD	32
Tableau 6.1	Taille de fil recommandée	34
Tableau 6.2	Paramètres des commutateurs DIP	37
Tableau 6.3	Programmes de charge de batterie standard	38
Tableau 6.4	Compensation de température des réglages de tension	40
Tableau 7.1	Fautes indications & Remèdes	44

Tableau des figures

Fig 2.1	Courbes de Courant (I), Tension (V) et Puissance (P)	6
Fig 2.2	Courbe I-V et valeurs nominales d'un panneau photovoltaïque / solaire 12V	7
Fig 3.2	La Connexion en Série	10
Fig 3.3	La Connexion en Parallèle	11
Fig 3.4	La Connexion Série-parallèle	11
Fig 3.5	Température vs état de charge	16
Fig 4.1	Le contrôle MLI type Série- Fréquence MLI = 300 Hz	19
Fig 4.2A	Algorithme de charge normale	20
Fig 4.2B	Algorithme d'égalisation	20
Fig 5.1	Disposition EVO-30AB	27
Fig 5.2	Disposition de l'EVO-RC-PLUS	29
Fig 5.3	Ecran de démarrage	30
Fig 5.4	Carte des menus EVO-RC-PLUS et EVO-30AB	33
Fig 6.1	Dimensions de l'EVO-30AB	35
Fig 6.2	Schéma de câblage EVO-30AB	36
Fig 6.3	EVO-30AB avec schéma de câblage EVO-RC-PLUS	41
Fig 6.4	Schéma de câblage de l'onduleur/chargeur EVO-30AB avec EVO-RC-PLUS et EVO™	42
Fig 6.5	EVO-30AB avec onduleur/chargeur EVO™	43

Exclusion de responsabilité

SAUF ACCORD ÉCRIT, SAMLEX AMERICA INC. :

1. N'OFFRE AUCUNE GARANTIE QU'AVANT À L'EXHAUSTIVITÉ, L'EXHAUSTIVITÉ OU LA PERTINENCE DE TOUTE TECHNIQUE OU D'AUTRES INFORMATIONS FOURNIES DANS SES MANUELS OU D'AUTRES DOCUMENTS.
2. N'ASSUME AUCUNE RESPONSABILITÉ POUR LES PERTES, DOMMAGES, COÛTS OU DÉPENSES, QU'IL S'AGISSE DE PARTICULIERS, DIRECTS, INDIRECTS, CONSÉCUTIFS OU ACCESSOIRES, QUI POURRAIENT DÉCOULER DE L'UTILISATION DE TELLES INFORMATIONS. L'UTILISATION DE CES RENSEIGNEMENTS SERONT ENTièrement À L'UTILISATEURS RISQUE.

Samlex Amérique se réserve le droit de réviser ce document et à procéder périodiquement à apporter des modifications au contenu sans obligation ou organisation de telles révisions ou modifications.

Avis de droit d'auteur/Mention de réserve de droit d'auteur

Copyright © 2022 par Samlex America Inc. Tous droits réservés. L'autorisation de copier, distribuer et/ou modifier ce document est interdite sans l'autorisation expresse et écrite de Samlex America Inc.

SECTION 5	Construction, aménagement & contrôle.....	27
5.1	General.....	27
5.2	Commandes et indicateurs.....	28
5.3	Fonctionnement de l'affichage à distance EVO-RC-PLUS.....	29
5.3.1	Navigation dans la télécommande.....	29
5.3.2	Ecrans d'affichage de l'EVO-RC-PLUS.....	30
SECTION 6	Installation et configuration.....	34
6.1	Dimensionnement des fils.....	34
6.2	Sélection d'un emplacement et d'un montage.....	35
6.3	Connexions et configuration.....	36
6.3.1	Réglages des interrupteurs DIP.....	37
6.4	Opération d'égalisation.....	39
6.4.1	L'Égalisation Manuelle.....	39
6.4.2	L'Égalisation Automatique.....	39
6.5	Fonctionnement de la compensation de température.....	39
6.6	Utilisation étendue: Utilisation étendue : connexions et configuration.....	41
6.6.1	Affichage à distance - EVO-RC-PLUS (En option).....	41
6.6.2	EVO-30AB avec onduleur / chargeur EVO™ et EVO-RC-PLUS.....	42
6.6.3	EVO-30AB avec convertisseur / chargeur EVO™ (pas de EVO-RC-PLUS).....	43
SECTION 7	Dépannage.....	44
7.1	Indicateurs de défaut.....	44
7.2	Symptôme 1. La Batterie Ne Recharge Pas.....	45
7.3	Symptôme 2. La tension de batterie est trop élevée.....	45
SECTION 8	Specifications.....	46
SECTION 9	Garantie.....	47
Liste des tableaux	Formules de dimensionnement des batteries.....	9
Tableau 3.1	Formules de dimensionnement des batteries.....	9
Tableau 3.2	Tailles de Batterie Populaires.....	14
Tableau 3.3	La Capacité de Batterie versus le Taux de Décharge.....	14
Tableau 3.4	Diagramme de cycle de vie typique.....	15
Tableau 3.5	Tension d'absorption en fonction de la température (exemple).....	15
Tableau 4.1	Paramètres du profil de la batterie au lithium.....	26

Table des matières

SECTION 1

1. Les consignes de sécurité.....5

1.1 La Conformité de l'installation et du câblage.....5

1.2 La prévention des décharges électriques.....5

1.3 L'environnement d'installation.....5

1.4 Prévention des risques d'incendie et d'explosion.....5

SECTION 2

2. Théorie de la puissance des panneau solaire.....6

2.1 Puissances nominales et courbes de puissance.....6

2.2 Puissance maximale.....6

2.3 Conditions d'essai standard (STC) pour la spécification des panneaux solaires.....7

2.4 Facteurs affectant la sortie de la cellule solaire.....8

SECTION 3

3. Théorie de la batterie.....8

3.1 Capacité de la batterie en Ah et RC.....8

3.1.1 Dimensionnement du banc de batteries.....9

3.2 La Connexion en Série et en Parallèle des Batteries.....10

3.2.1 La Connexion en Série.....10

3.2.2 La Connexion en Parallèle.....11

3.2.3 La Connexion en Série – Parallèle.....11

3.3 Batteries au plomb.....12

3.3.1 Types de batterie.....12

3.3.2 Les Tailles de Batterie Typiques.....14

3.3.3 Capacité réduite à décharge plus élevée.....14

3.3.4 Rendement de la Batterie.....14

3.3.5 Impact de la profondeur de décharge sur la durée de vie de la batterie.....15

3.3.6 Effet de la température sur les batteries au plomb.....15

3.4 Piles au lithium.....16

3.4.1 Effets de la température sur les batteries au lithium.....17

3.4.2 Batteries au lithium en série et en parallèle.....17

SECTION 4

4. Caractéristiques et fonctionnement.....17

4.1 Caractéristiques.....17

4.1.1 Contrôleur de charge autonome.....18

4.1.2 Utilisation étendue avec d'autres produits EVO™.....18

4.2 Opération de charge EVO-30AB.....19

4.2.1 Modulation de largeur d'impulsion.....19

4.2.2 Cycle de charge standard.....20

4.2.3 Charge d'acide de plomb.....21

4.2.4 Cycle de charge d'égalisation.....25

4.2.5 La Compensation de Température.....25

4.3 Chargement de la batterie au lithium.....26

samplexpower®

**Contrôleur
de Charge de
30 Ampère
EVO-30AB**

Guide
d'utilisation

Lisez ce manuel
avant d'utiliser
votre charge
manette.